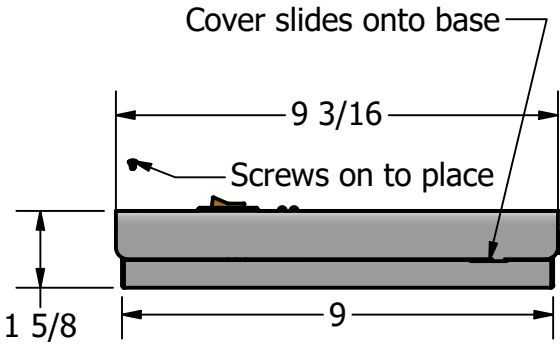
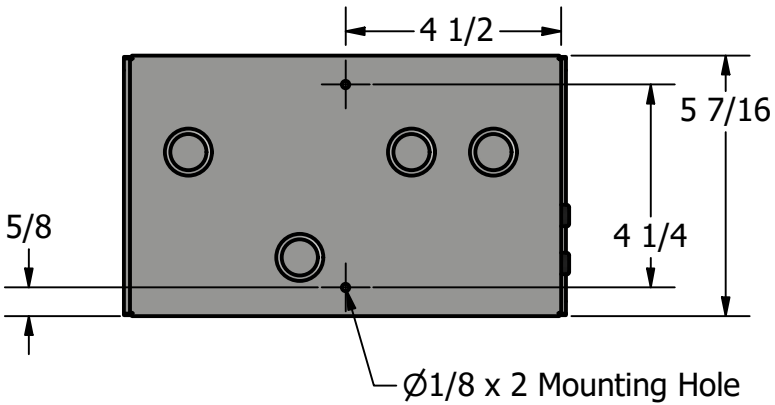
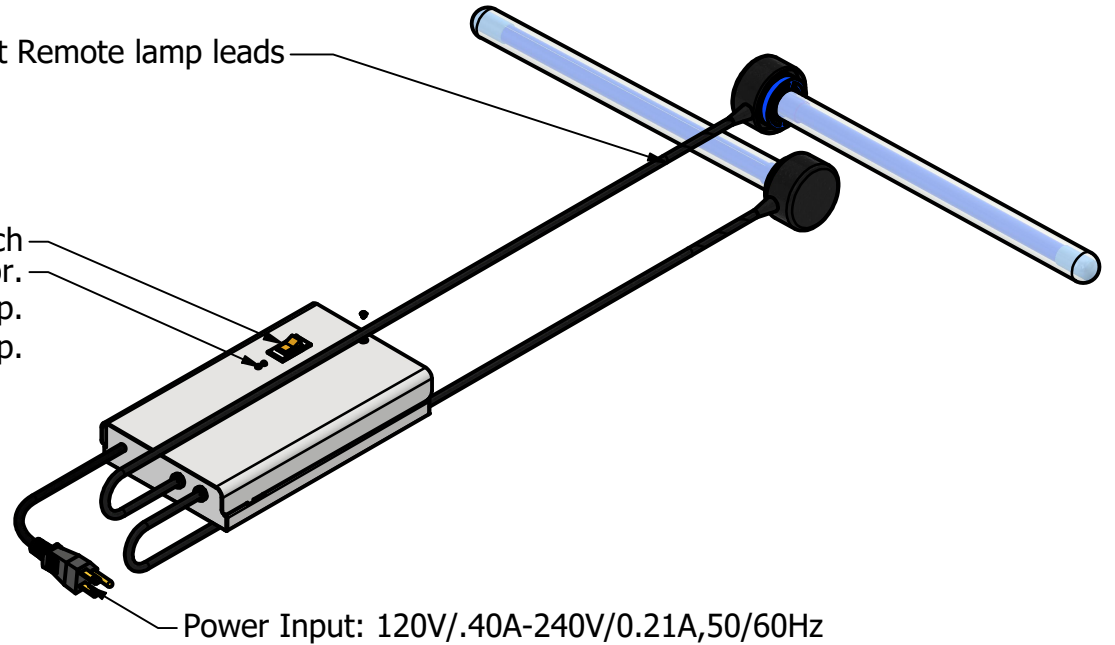


AS-IH-1024
Ultraviolet Lamp 14 inch 3 year life



On/Off Switch
Blue/Red Led Indicator.
Blue: Working lamp.
Red: Inspect Lamp.

6 ft Remote lamp leads



Specifications

Material: 20/22 Gauge Domestic Steel (Low Lead Content)
Unit Powered by: BL-PP-0023 Auto Sensing Ballast
Power Input: 120V/.40A-240V/0.21A,50/60Hz
Power Consumption: 18 Watts (.40 AMPS @120VAC)

Configure:

- UMX1402T : Ultravation (R) 120-240VAC UV System with two 14" remote lamp and 2 light shields
- UMX1400T : Ultravation (R)120-240VAC UV System with one 14" remote lamp and 1 light shields

DRAWN Anik I.	6/27/2024	Ultravation Inc		
CHECKED		TITLE		
QA		UMX1402T/UMX1400T		
MFG		Ultravation (R) 120-240VAC UV System with two 14" remote lamp and 2 light shields/one 14" remote lamp and 1 light shields		
APPROVED		SIZE	DWG NO	REV
		A4	UMX14252T LV Spec	N/A
All Dimensions are	in INCHES	SCALE	1/4	Tolerance ±0.031
				SHEET 1 OF 1