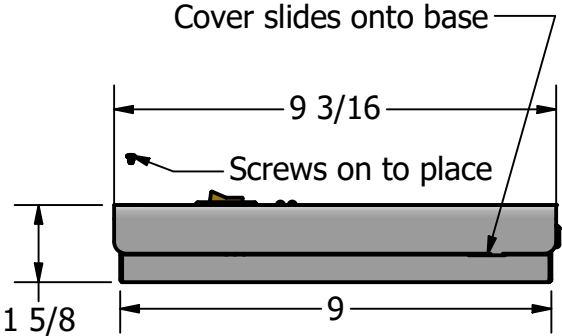
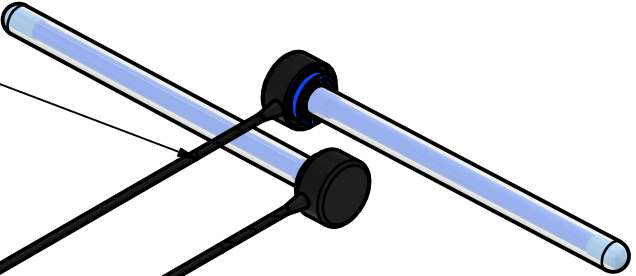


Specifications	
Material: 20/22 Gauge Domestic Steel (Low Lead Content)	
Unit Powered by: BL-PP-0021 24V Ballast 50W with Diagnostics	
Power Input: 24VAC	
Power Consumption: 38 Watts (.32 AMPs @24VAC)	

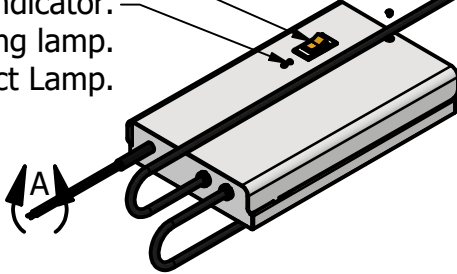
AS-IH-1024
Ultraviolet Lamp 14 inch 3 year life



6 ft Remote lamp leads



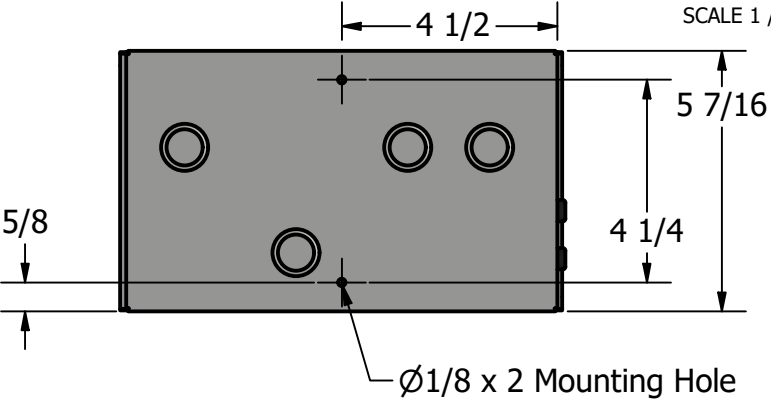
On/Off Switch
Blue/Red Led Indicator.
Blue: Working lamp.
Red: Inspect Lamp.



Connect to 24 VAC
Black: Hot wire
White: Neutral

DETAIL A
SCALE 1 / 2

Configure:
UMX14242T : Ultravation (R) 24VAC UV System with two 14" remote lamp and 2 light shields
UMX1424T : Ultravation (R) 24VAC UV System with one 14" remote lamp and 1 light shields



DRAWN Anik I.	06/27/24	Ultravation Inc		
CHECKED		TITLE		
QA		UMX1424T/UMX14242T		
MFG		Ultravation (R) 24VAC UV System with two 14" remote lamp and 2 light shields/one 14" remote lamp and 1 light shields		
APPROVED		SIZE	DWG NO	REV
		A4	UMX Series Spec	N/A
All Dimensions are in INCHES		SCALE	1/6	Tolerance ±0.031
		SHEET 1 OF 1		