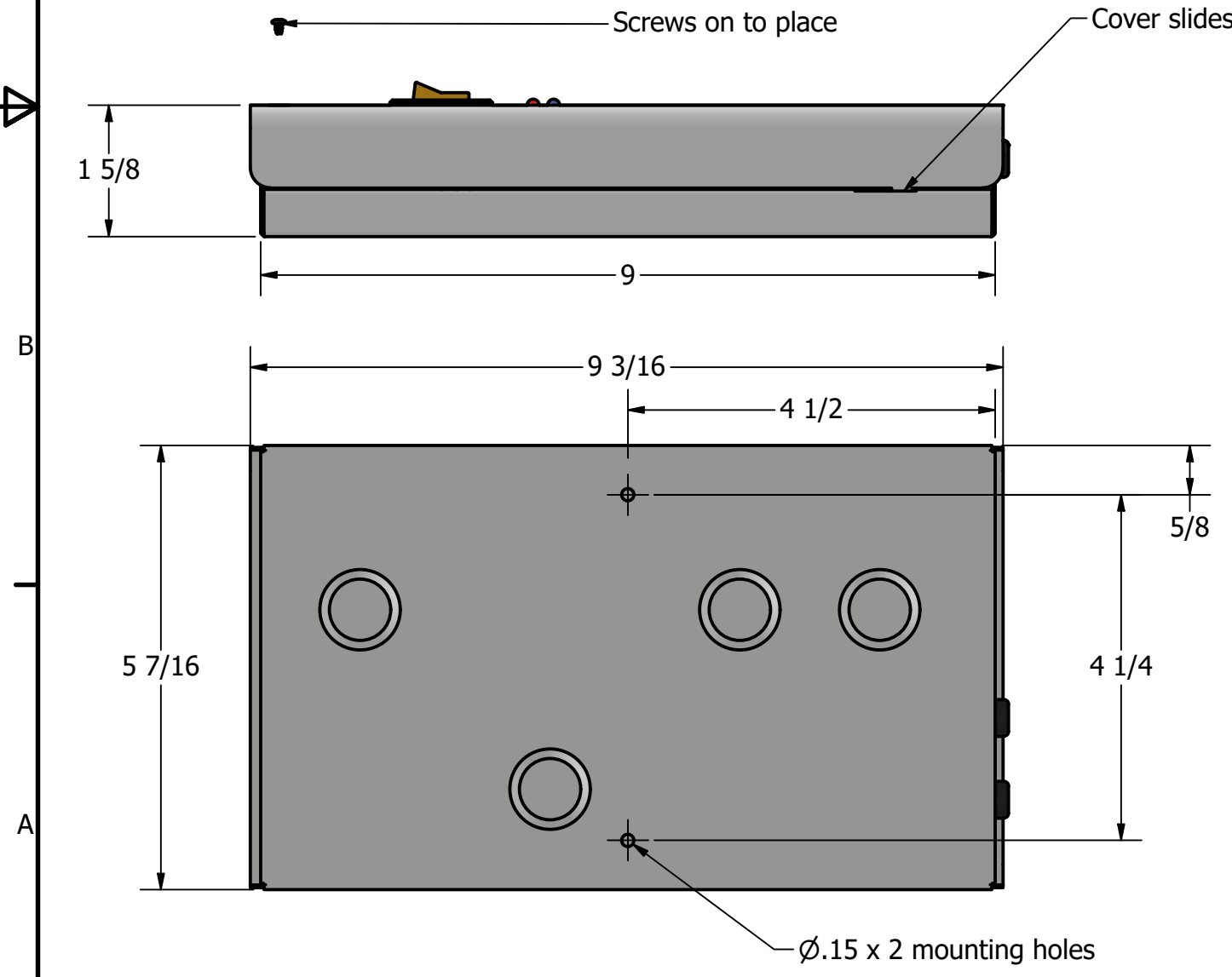
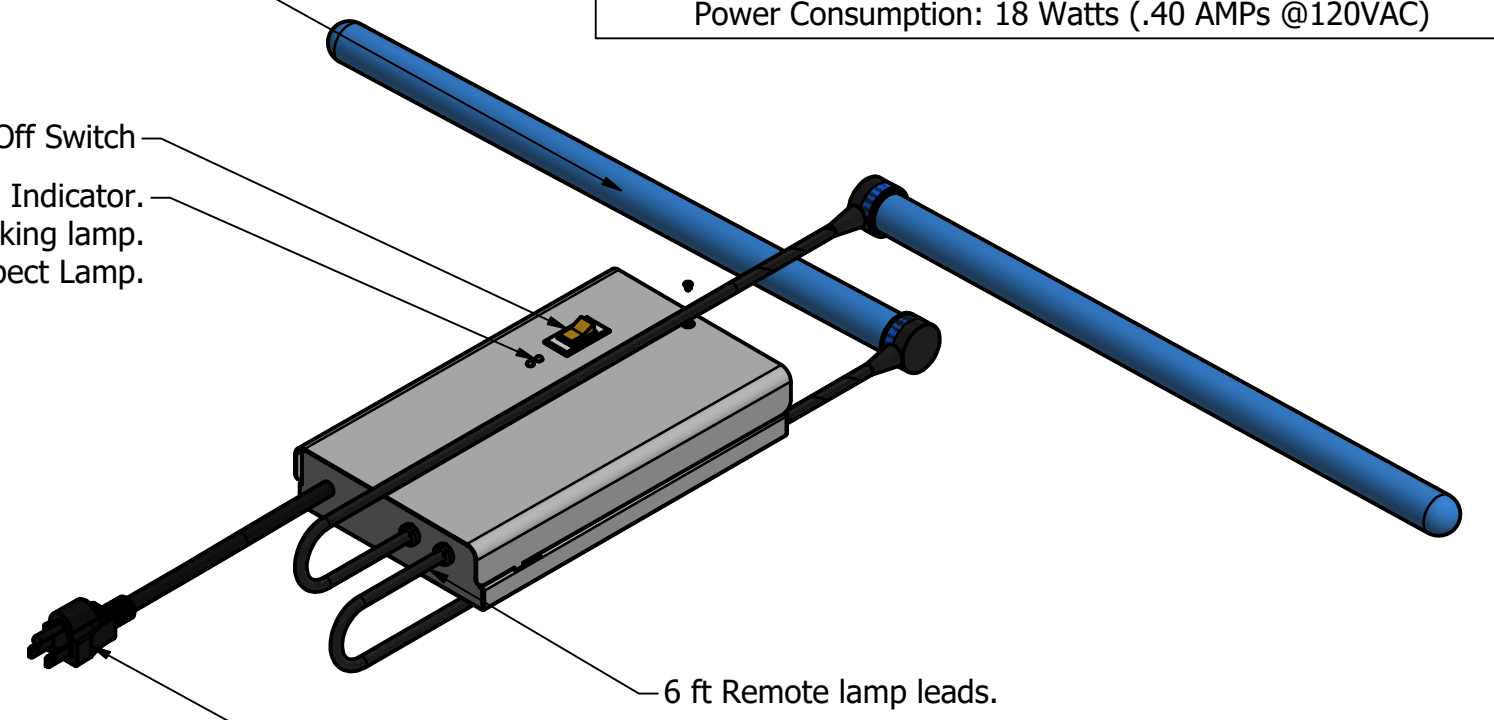


Product	Description	Product Warranty	Replacement Lamp	Lamp Quantity
<b>UMX1200T</b>	UVC System with 1 remote 12" Germicidal Lamp, including Performance Indicator, 120-240vac	10 Years	AS-IH-1001	1
<b>UMX1202T</b>	UVC System with 2 remote 12" Germicidal Lamps, including Performance Indicator, 120-240vac	10 Years	AS-IH-1001	2
<b>UMX1900T</b>	UVC System with 1 remote 17" Germicidal Lamp, including Performance Indicator, 120-240vac	10 Years	AS-IH-1003	1
<b>UMX1902T</b>	UVC System with 2 remote 17" Germicidal Lamps, including Performance Indicator, 120-240vac	10 Years	AS-IH-1003	2

Specsheet	
Material: 20/22 Gauge Domestic Steel (Low Lead Content)	
Unit Powered by: BL-PP-0023 Auto Sensing Ballast	
Power Input: 120V/.40A-240V/0.21A,50/60Hz	
Power Consumption: 18 Watts (.40 AMPS @120VAC)	

Configure from table  
1 or 2 Remote 12"/17" UVC lamps

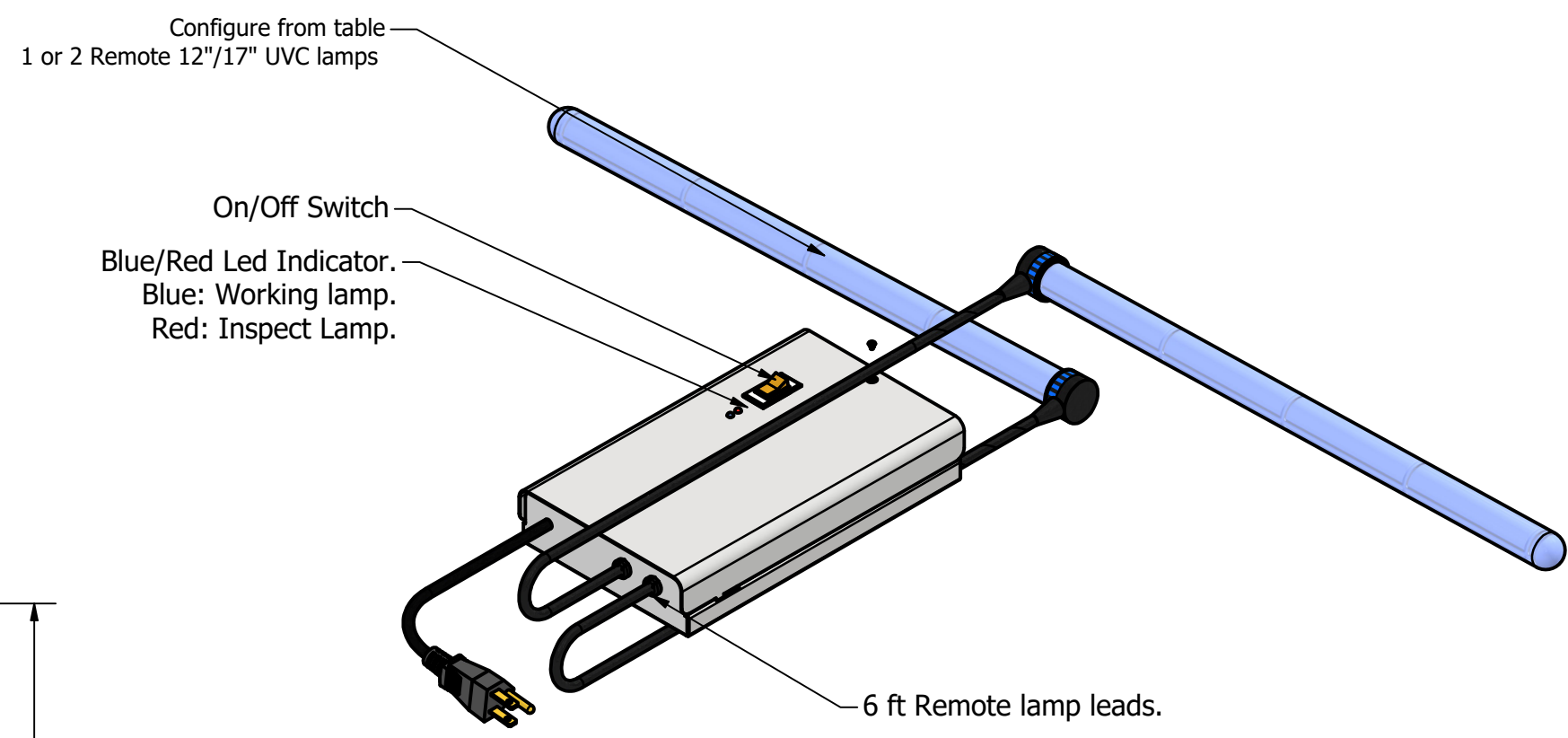
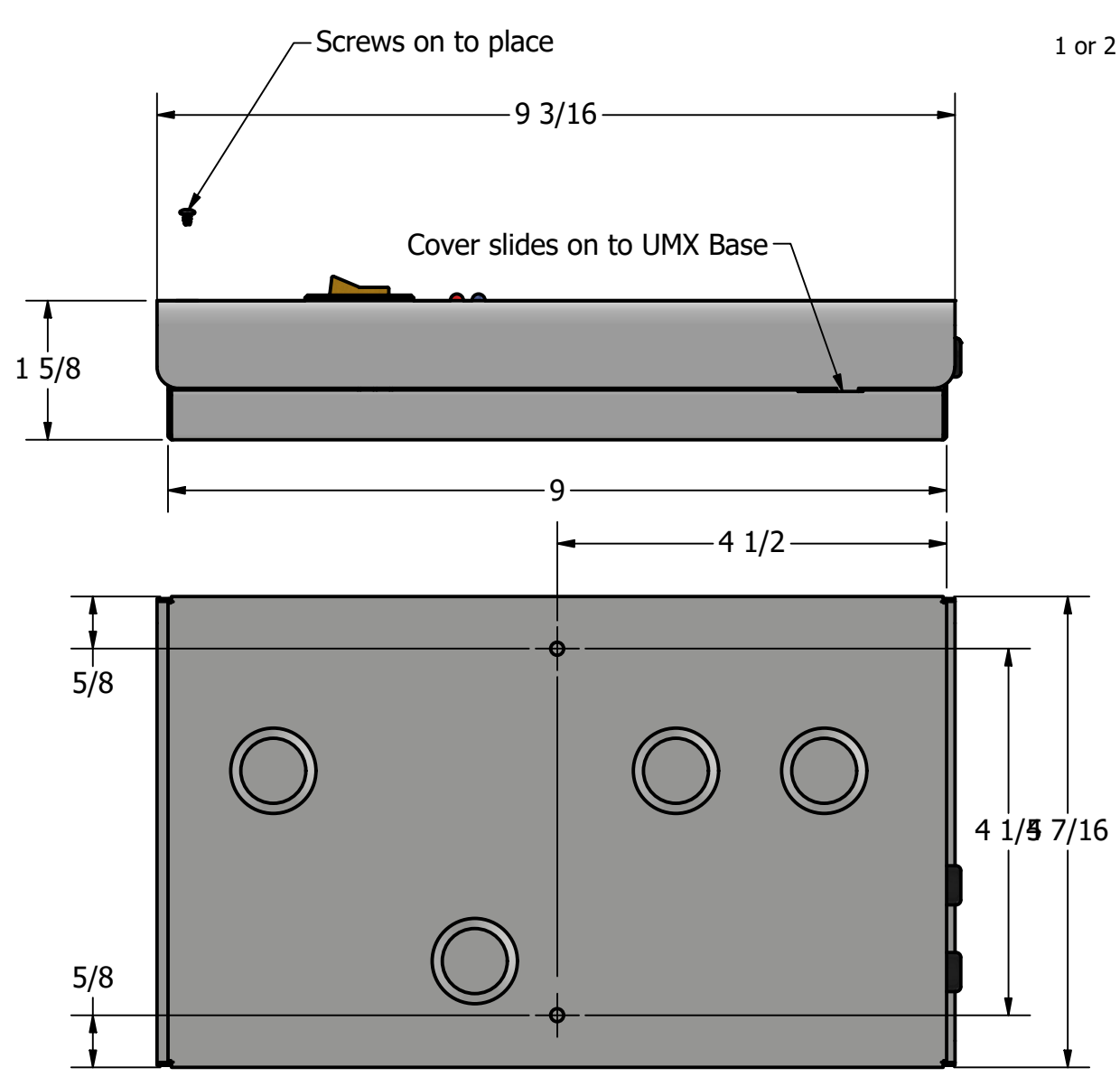
On/Off Switch  
Blue/Red Led Indicator.  
Blue: Working lamp.  
Red: Inspect Lamp.



DRAWN Anik I.	9/28/2024	Ultravation		
CHECKED		67 TUBBS AVE, BRANDON VT-05733. 866-468-8247. www.ultravation.com		
QA		TITLE		
MFG		UMX Series Specs		
APPROVED		(Line Voltage)		
		SIZE A3	DWG NO UMX Specsheel 2022	REV N/A
All Dimensions are in INCHES		SCALE 1 / 4	Tolerance ±0.031	SHEET 1 OF 2

Product	Description	Product Warranty	Replacement Lamp	Lamp Quantity
<b>UMX12242T</b>	UVC System with 2 remote 12" Germicidal Lamps, including Performance Indicator, 24vac	10 Years	AS-IH-1001	2
<b>UMX1224T</b>	UVC System with 1 remote 12" Germicidal Lamp, including Performance Indicator, 24vac	10 Years	AS-IH-1001	1
<b>UMX19242T</b>	UVC System with 2 remote 17" Germicidal Lamps, including Performance Indicator, 24vac	10 Years	AS-IH-1003	2
<b>UMX1924T</b>	UVC System with 1 remote 17" Germicidal Lamp, including Performance Indicator, 24vac	10 Years	AS-IH-1003	1

Specsheet
Material: 20/22 Gauge Domestic Steel (Low Lead Content)
Unit Powered by: BL-PP-0021 24V Ballast 50W with Diagnostics
Power Input: 24VAC
Power Consumption: 38 Watts (.32 AMPs @24VAC)



DRAWN	Anik I.	9/28/2024	Ultravation		
CHECKED			67 TUBBS AVE, BRANDON VT-05733. 866-468-8247. www.ultravation.com		
QA			TITLE		
MFG			<b>UMX Series Specs</b>		
APPROVED			(24 V)		
			SIZE	DWG NO	REV
			<b>A3</b>	<b>UMX Specsheel 2022</b>	<b>N/A</b>
All Dimensions are in INCHES		SCALE	1 / 4	Tolerance ±0.031	SHEET 2 OF 2