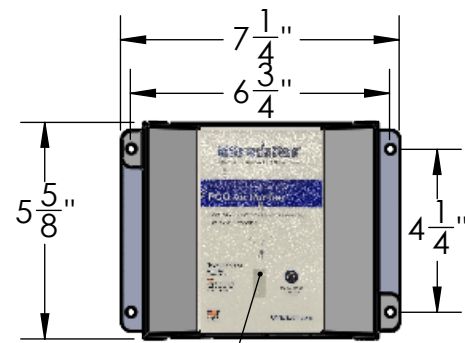


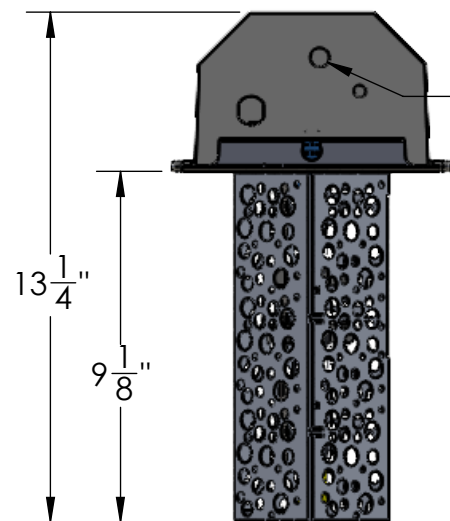
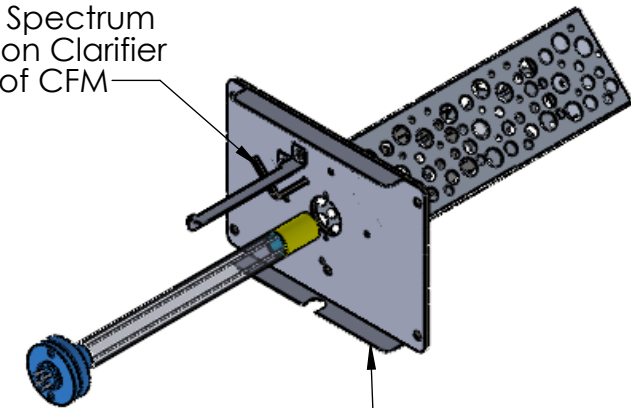
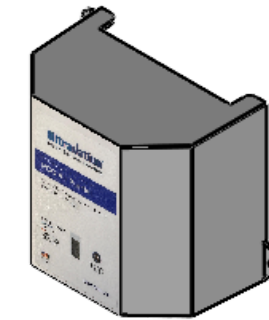
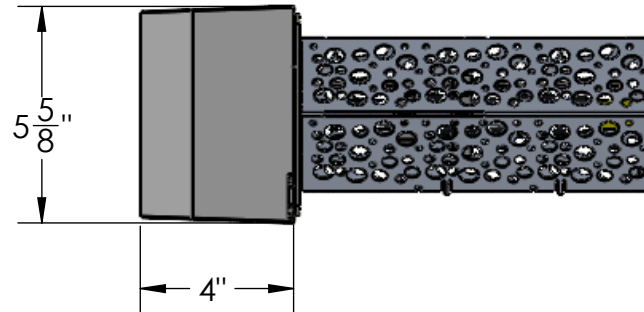
Specifications:
Coverage: 500 sq. ft to 5,000 sq ft space
Adjusts up to 7.5 tons/3,000 CFM
Replacement Lamp: AS-IH-1013

Patented Adjustable Dual Spectrum Air Treatment System-Photon Clarifier can be calibrated in sq ft of CFM

Mounting Plate:
Modular Design for small footprint and easy Lamp replacement.



System Monitor Green LED: System Operation is Good
Red LED: Lamp/Service Required



Input: 24V, 50/60 Hz, 2.5 Amp

PROPRIETARY AND CONFIDENTIAL
THE INFORMATION CONTAINED IN THIS DRAWING IS THE SOLE PROPERTY OF <INSERT COMPANY NAME HERE>. ANY REPRODUCTION IN PART OR AS A WHOLE WITHOUT THE WRITTEN PERMISSION OF <INSERT COMPANY NAME HERE> IS PROHIBITED.

	UNLESS OTHERWISE SPECIFIED:		NAME	DATE	TITLE:
	DIMENSIONS ARE IN INCHES TOLERANCES: FRACTIONAL ± ANGULAR: MACH ± BEND ± TWO PLACE DECIMAL ± THREE PLACE DECIMAL ±		DRAWN	H Kelley	
ULTRAVATION, INC. 67 TUBBS AVENUE BRANDON VT. 05773 PHONE (866) 468-8247	INTERPRET GEOMETRIC TOLERANCING PER:	MATERIAL	CHECKED	ENG APPR.	PTE-1224
	FINISH	APPLICATION	MFG APPR.	Q.A.	
			COMMENTS: 24VAC PhotoMax Air Cleaner		SIZE DWG. NO. REV B PTE-1224-DDS
	DO NOT SCALE DRAWING		SCALE: 1:12 WEIGHT:		SHEET 1 OF 1