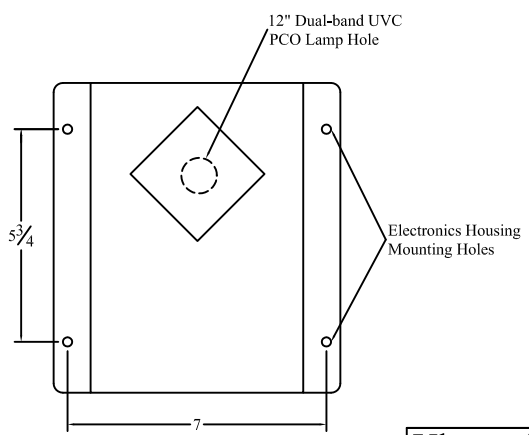
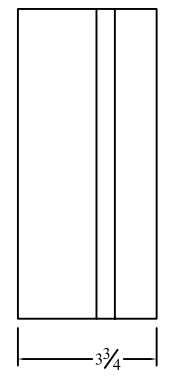
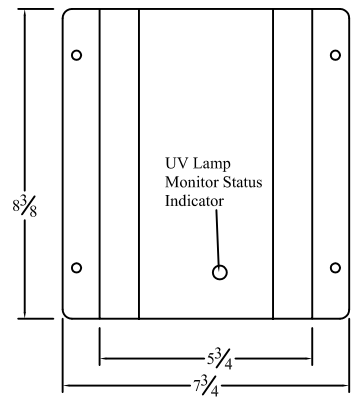
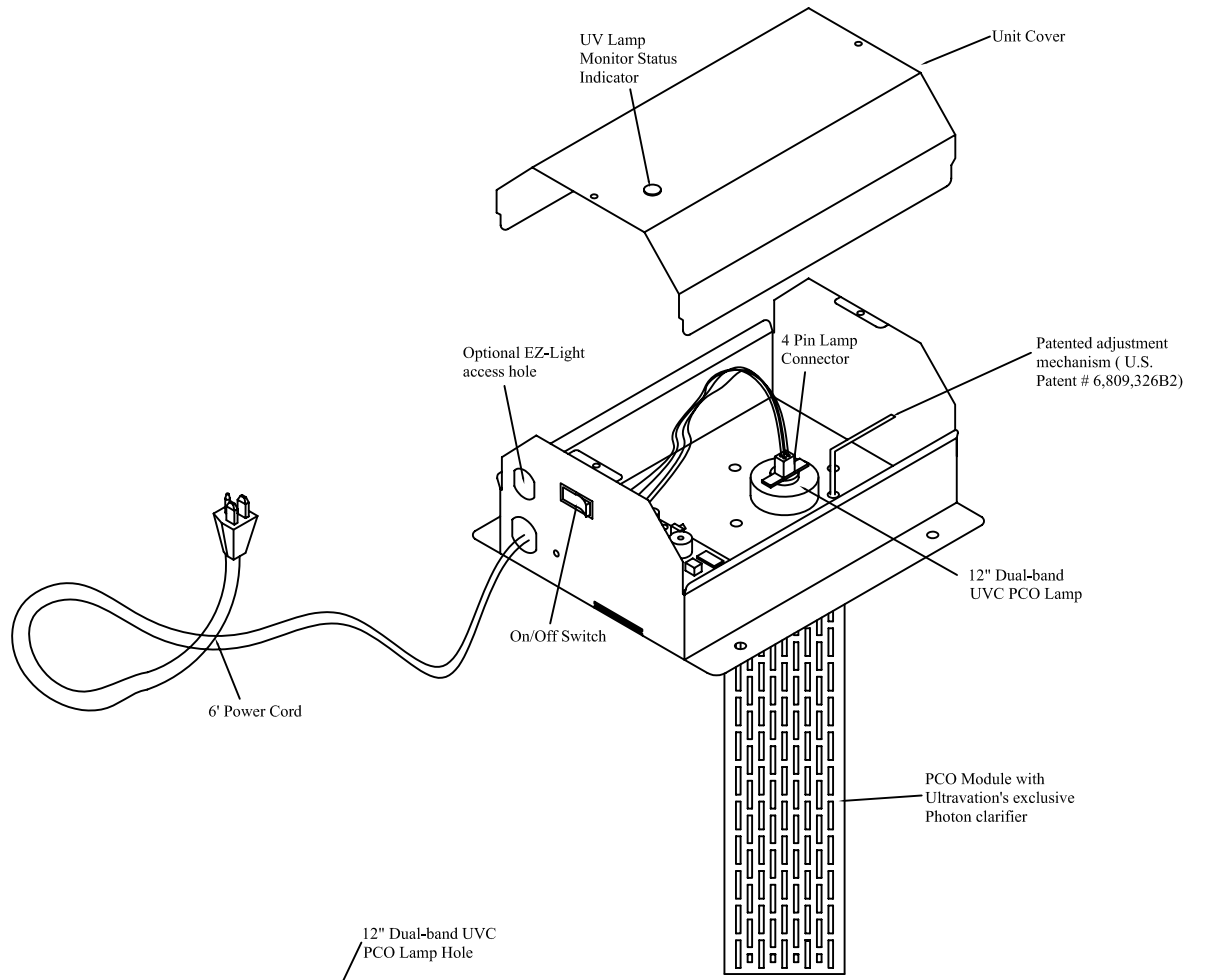
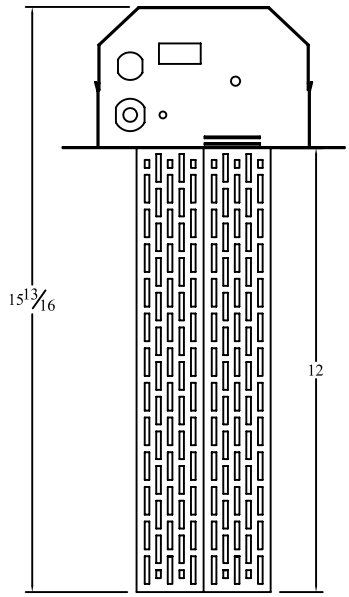


Specifications

Housing Material: Powder Coated 20 Ga. Galvanized Steel
Power Consumption: 20 Watts
Number of Lamps: 1 - 12" PCO Lamp
Oxidation Adjustment: 300ft ² to 5000ft ²



Ultravation, Inc. 212 Ideal Way Poultney, Vermont 05764 Ph: 802-287-9735 Fx: 802-287-9203 www.Ultravation.com	Part #: PTX-1200F	Drawing #: DC-IH-3336	Rev -*
	Description: 1- 12" Dual Spectrum UVC Fixed Lamp System, 120 VAC. Includes the UV Lamp Monitor and Patented adjustable advanced oxidation to reduce odors and microorganisms		
	Date: 10/10/09	Scale: NTS	Creator: JSM