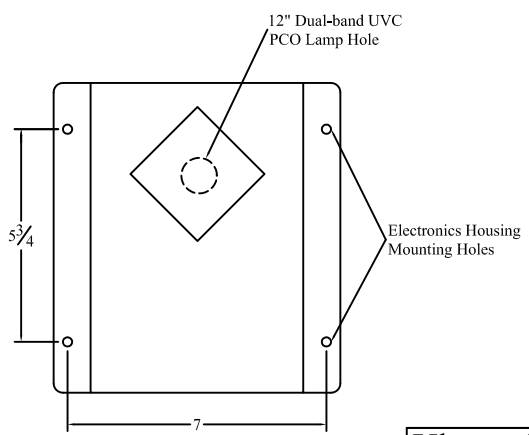
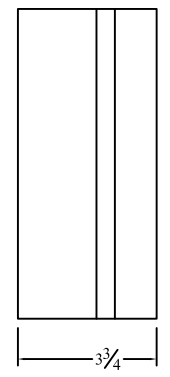
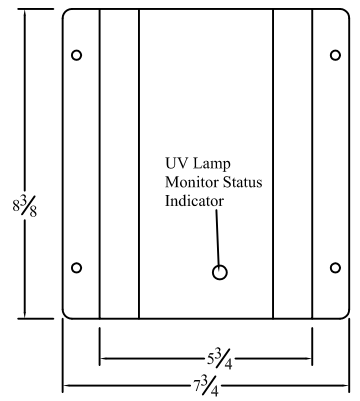
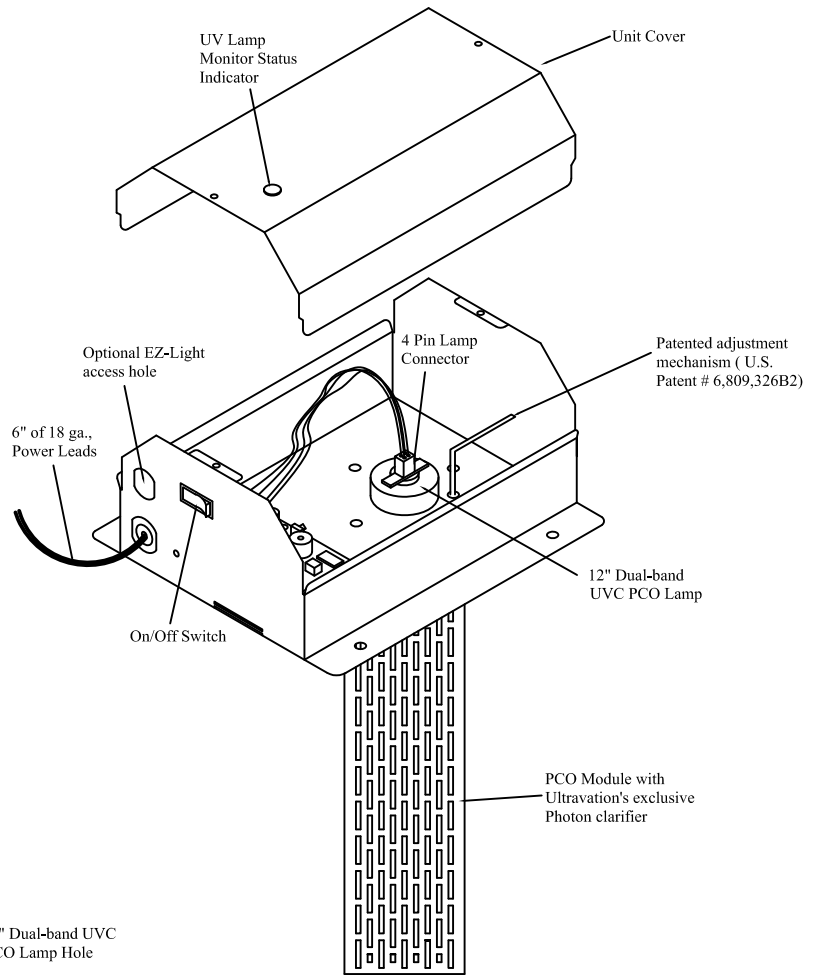
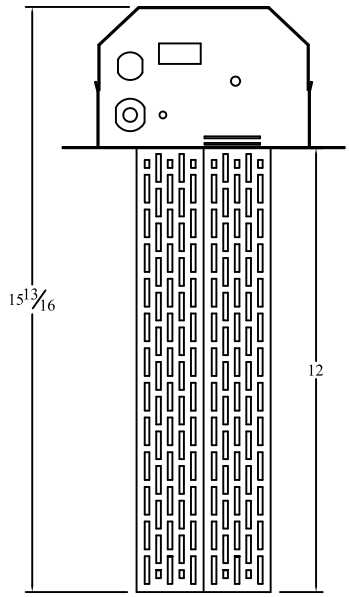


Specifications

Housing Material: Powder Coated 20 Ga. Galvanized Steel
Power Consumption: 20 Watts
Number of Lamps: 1 - 12" PCO Lamp
Oxidation Adjustment: 300ft ² to 5000ft ²



Ultravation, Inc. 212 Ideal Way Poultney, Vermont 05764 Ph: 802-287-9735 Fx: 802-287-9203 www.Ultravation.com	Part #: PTX-1224F	Drawing #: DC-IH-3301	Rev -*
	Description: 1- 12" Dual Spectrum UVC Fixed Lamp System, 24 VAC 40 Va., Includes multi-tap transformer to adapt to all voltages 120-240v. Also included is the UVLampMonitor and Patented adjustable advanced oxidation to reduce odors and microorganisms		
	Date: 10/10/09	Scale: NTS	Creator: JSM