

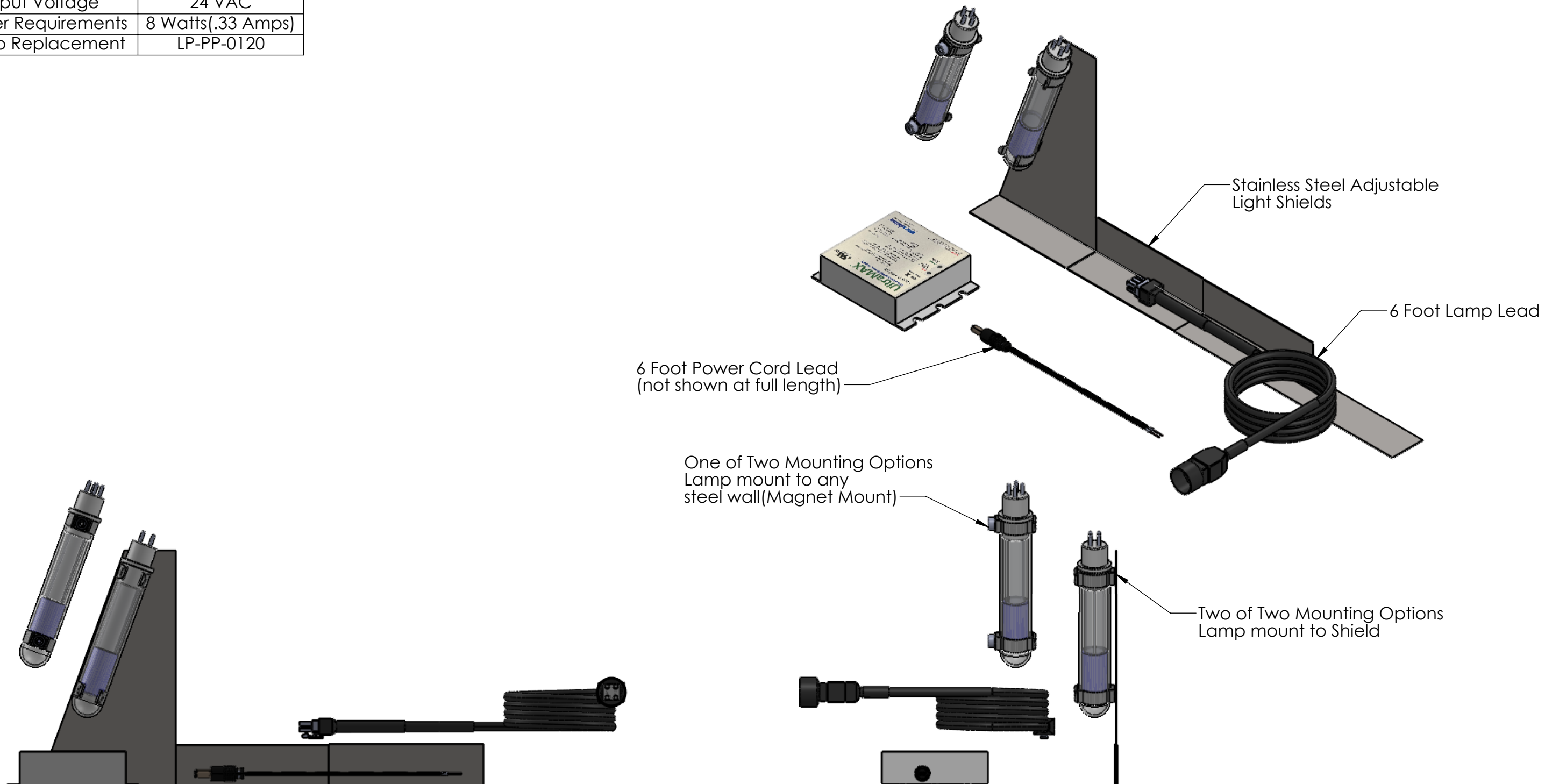
4

3

2

1

Specifications	
Input Voltage	24 VAC
Power Requirements	8 Watts(.33 Amps)
Lamp Replacement	LP-PP-0120



6 Foot Power Cord Lead (not shown at full length)

Stainless Steel Adjustable Light Shields

6 Foot Lamp Lead

One of Two Mounting Options Lamp mount to any steel wall(Magnet Mount)

Two of Two Mounting Options Lamp mount to Shield

PROPRIETARY AND CONFIDENTIAL
 THE INFORMATION CONTAINED IN THIS DRAWING IS THE SOLE PROPERTY OF ULTRAVATION. ANY REPRODUCTION IN PART OR AS A WHOLE WITHOUT THE WRITTEN PERMISSION OF ULTRAVATION IS PROHIBITED.

 Better Air Better Water Better Living ULTRAVATION, INC. 67 TUBBS AVENUE BRANDON VT. 05773 PHONE (866) 468-8247	UNLESS OTHERWISE SPECIFIED:	NAME	DATE	TITLE: Drainlight UV Complete Kit
	DIMENSIONS ARE IN INCHES TOLERANCES: FRACTIONAL ± ANGULAR: MACH ± BEND ± TWO PLACE DECIMAL ± THREE PLACE DECIMAL ± INTERPRET GEOMETRIC TOLERANCING PER: MATERIAL FINISH	DRAWN CHECKED ENG APPR. MFG APPR. Q.A. COMMENTS:	H Kelley	
APPLICATION	DO NOT SCALE DRAWING	SCALE: 1:4	WEIGHT:	SIZE B DWG. NO. UMX244EZ-DUV REV SHEET 1 OF 1

4

3

2

1

B

B

A

A