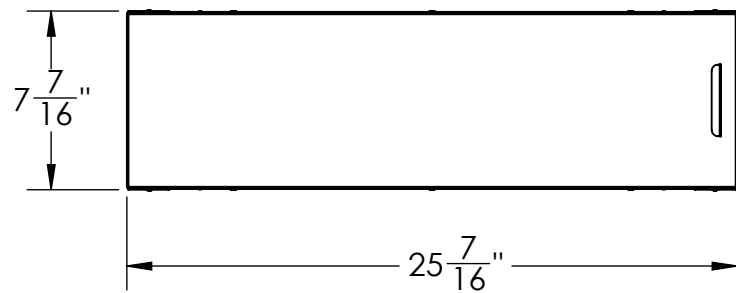
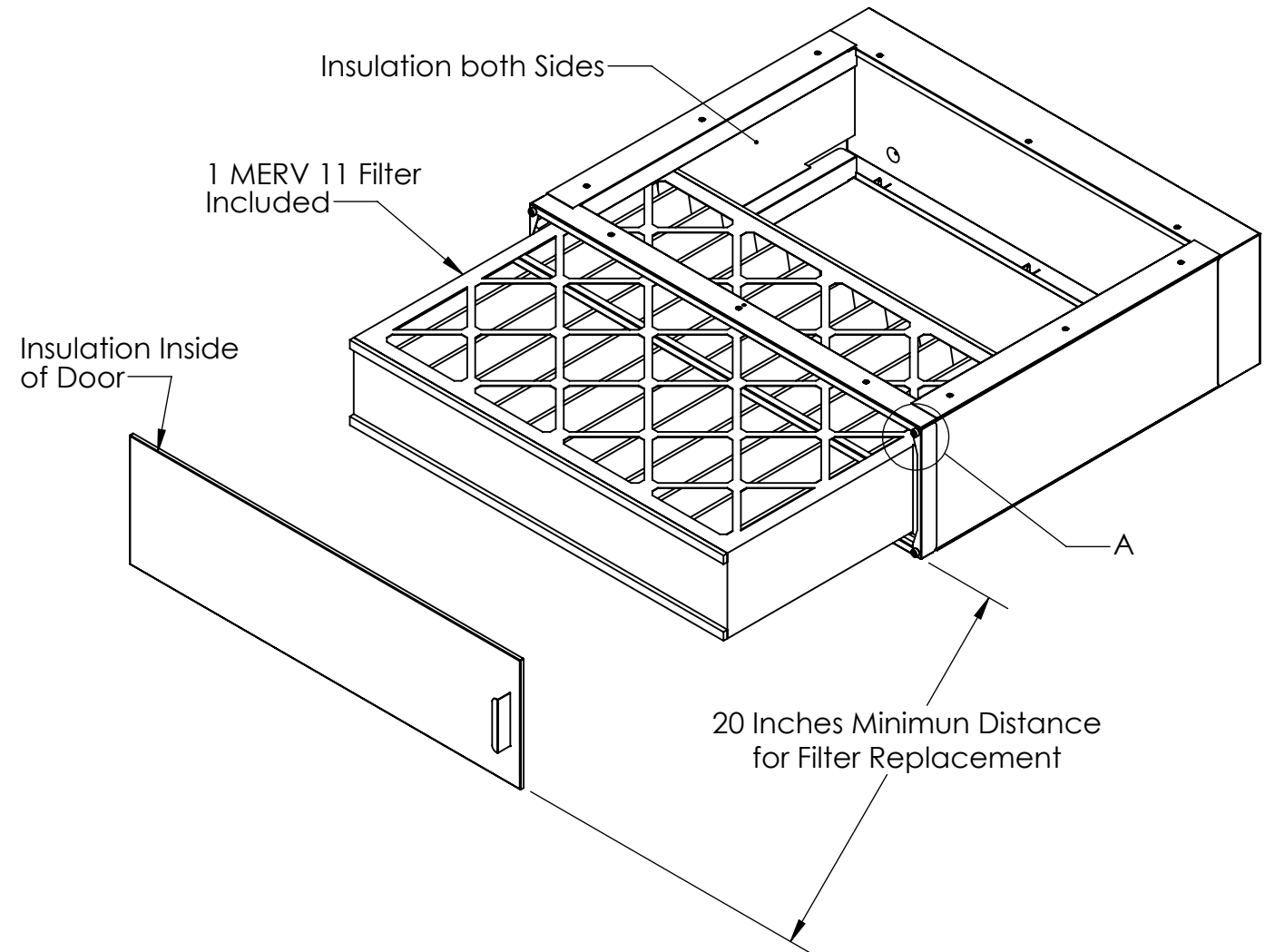
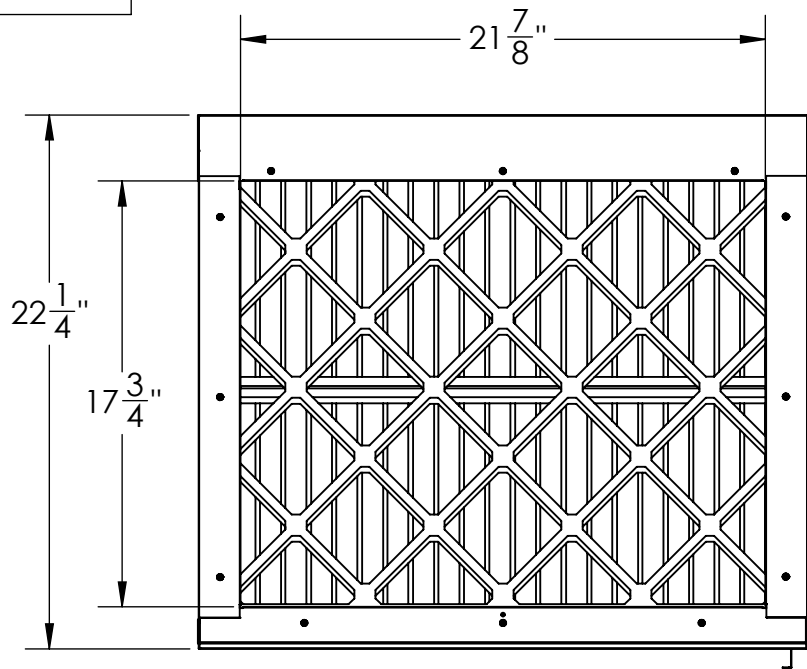
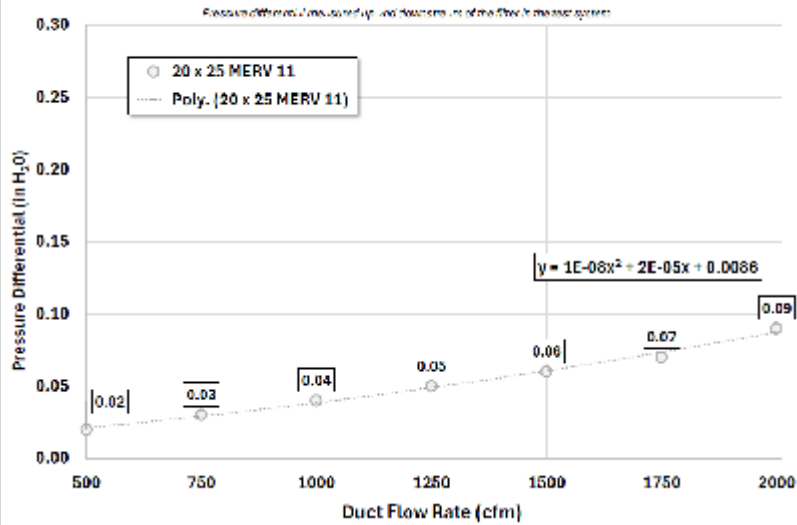


Specifications
Material: 22 Gauge Domestic Steel (Low Lead Content)
Designed Weight Capacity: 250 lbs
Air Flow Range: 600 to 2,200 CFM
Merv 11 - 20x25x5 Replacement Filter: 91-006
Merv 13 - 20x25x5 Replacement Filter: 91-026



DETAIL A  
SCALE 1 : 4

Pressure Differential Across the Ultravation Filter  
Across Various Flow Rates



**PROPRIETARY AND CONFIDENTIAL**  
THE INFORMATION CONTAINED IN THIS DRAWING IS THE SOLE PROPERTY OF ULTRAVATION. ANY REPRODUCTION IN PART OR AS A WHOLE WITHOUT THE WRITTEN PERMISSION OF ULTRAVATION IS PROHIBITED.

 Better Air   Better Water   Better Living <b>ULTRAVATION, INC.</b> 67 TUBBS AVENUE BRANDON VT. 05773 PHONE (866) 468-8247	UNLESS OTHERWISE SPECIFIED:	NAME	DATE	<b>TITLE:</b> <h1>Air Handler Base Unit</h1>
	DIMENSIONS ARE IN INCHES TOLERANCES: FRACTIONAL ± ANGULAR: MACH ± BEND ± TWO PLACE DECIMAL ± THREE PLACE DECIMAL ± INTERPRET GEOMETRIC TOLERANCING PER: MATERIAL See Specifications FINISH See Comments	DRAWN H Kelley CHECKED ENG APPR. MFG APPR. Q.A. COMMENTS: <b>Standard Finish: Powder Coat White</b>	6/9/2025	
APPLICATION	DO NOT SCALE DRAWING			REV <b>B</b>