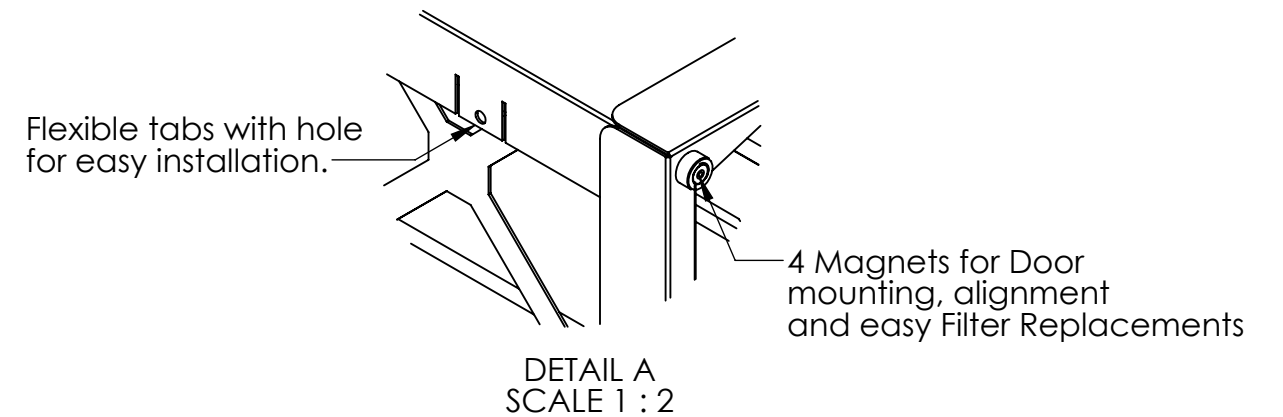
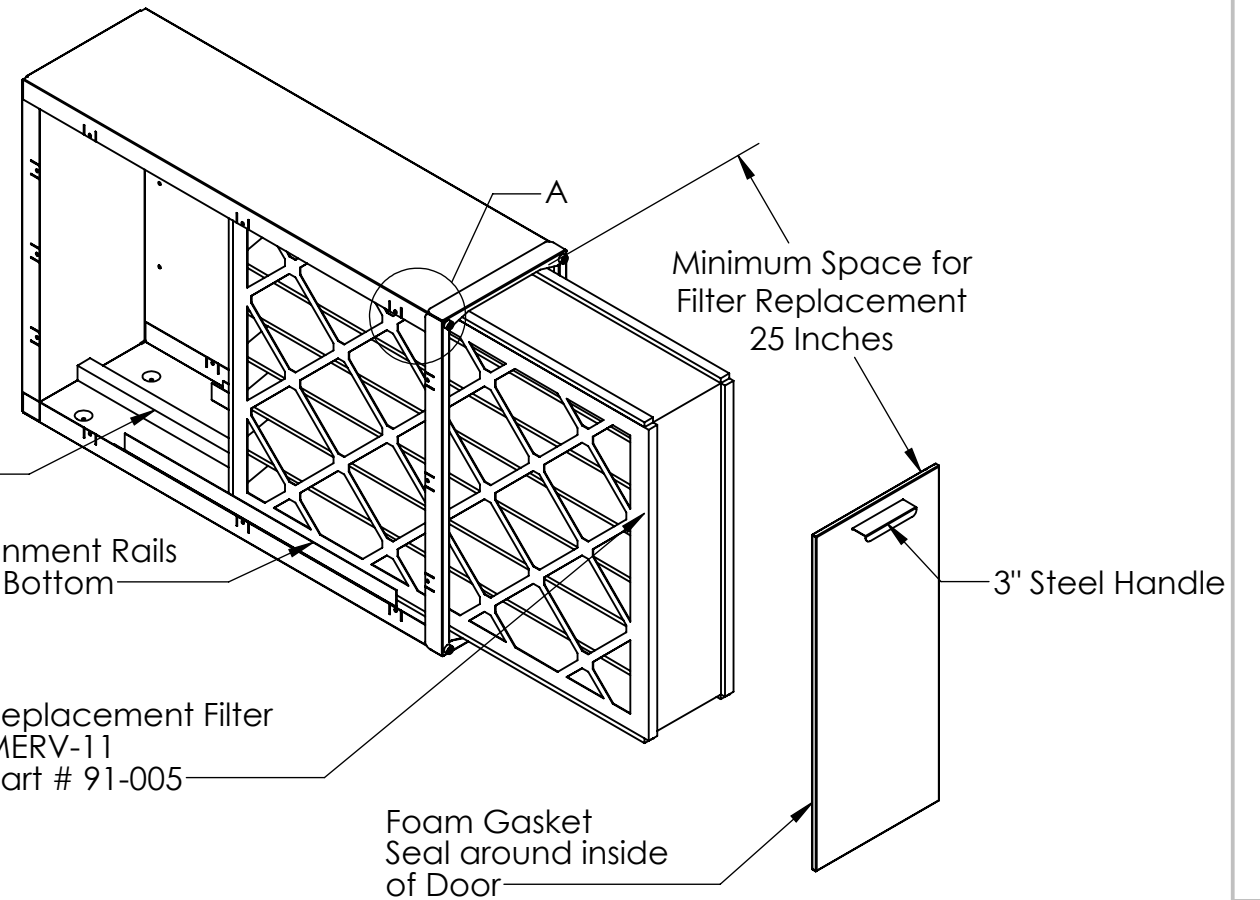
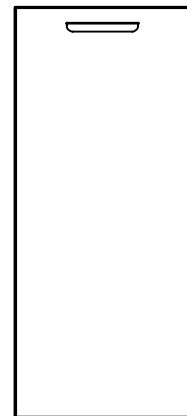
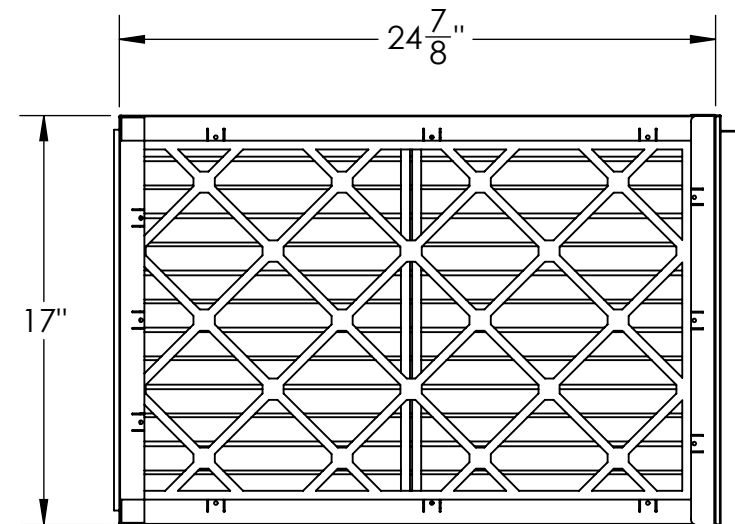
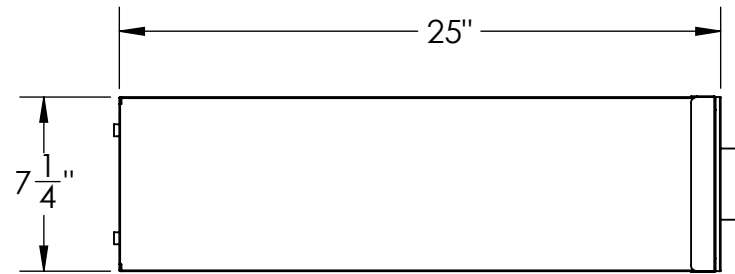
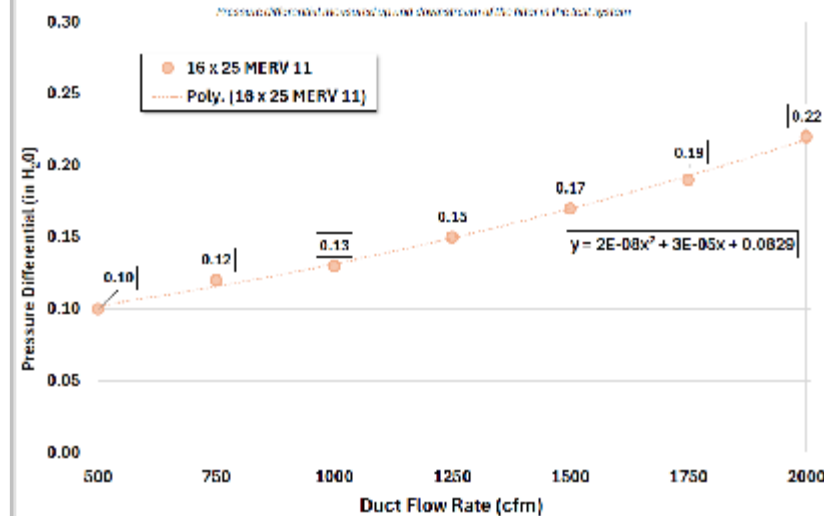


Specifications
Material: 22 Gauge Domestic Steel(Low Lead Content)
Design Weight Capacity: 275 lbs.
Pressure Drop @ 1,000 CFM 0.13 Inches of H <sup>2</sup> O



Pressure Differential Across the Ultravation Filter Across Various Flow Rates



	<b>PROPRIETARY AND CONFIDENTIAL</b> THE INFORMATION CONTAINED IN THIS DRAWING IS THE SOLE PROPERTY OF ULTRAVATION. ANY REPRODUCTION IN PART OR AS A WHOLE WITHOUT THE WRITTEN PERMISSION OF ULTRAVATION IS PROHIBITED.	NAME	DATE	TITLE:
		H Kelley	6/6/2025	
ULTRAVATION, INC. 67 TUBBS AVENUE BRANDON VT. 05773 PHONE (866) 468-8247	MATERIAL See Specifications	DRAWN		SIZE <b>B</b> DWG. NO. 90-406 16x25x5 Media Air-Cleaner REV <b>A</b>
	FINISH See Comments	CHECKED		
APPLICATION	DO NOT SCALE DRAWING	ENG APPR.		
		MFG APPR.		
		Q.A.		
		COMMENTS:		
		Galvanized Cabinet with Galvanized Door		