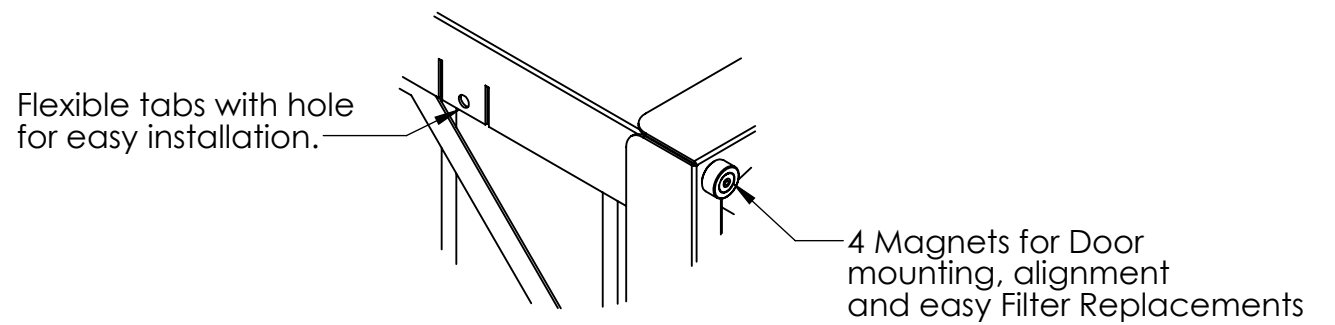
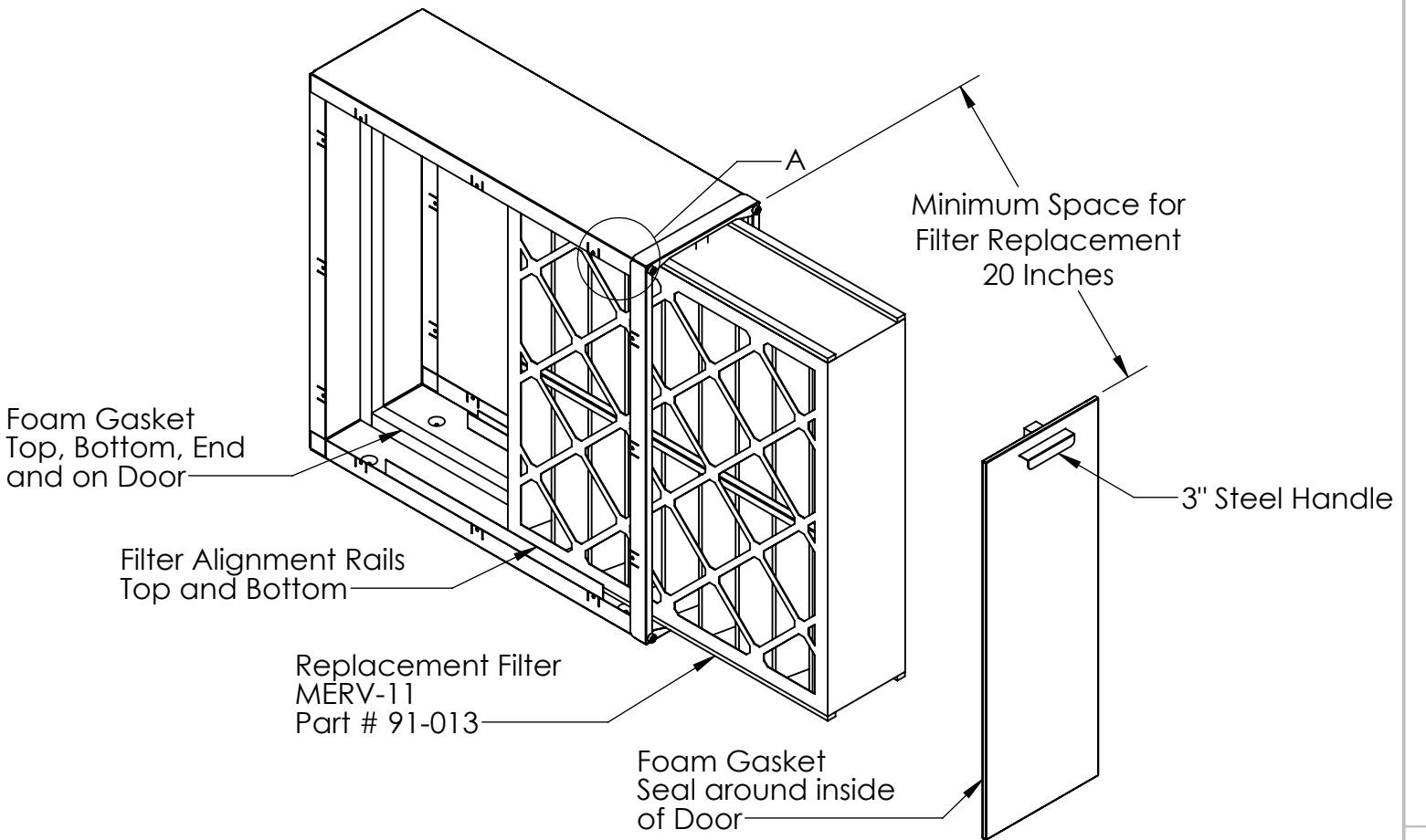
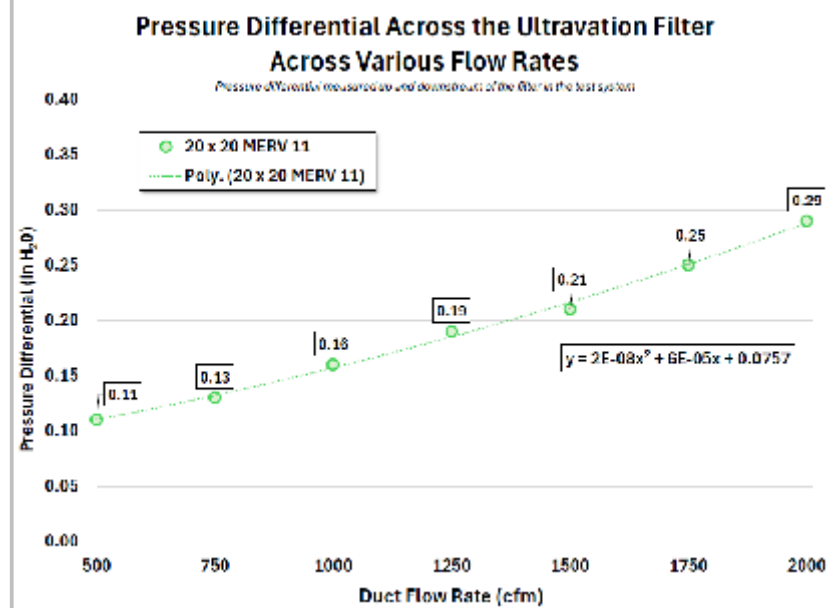
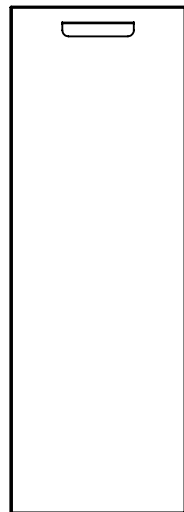
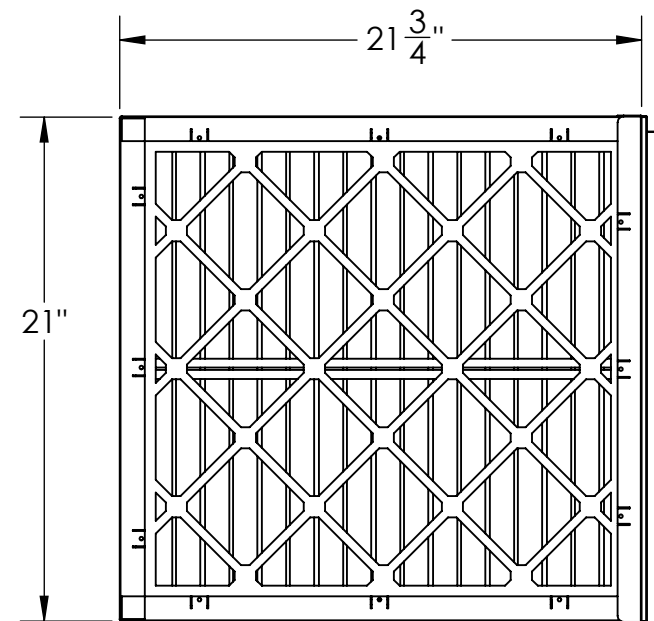
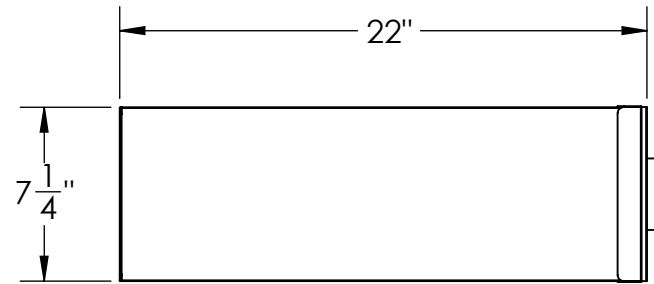


Specifications
Material: 22 Gauge Domestic Steel(Low Lead Content)
Design Weight Capacity: 275 lbs.
Pressure Drop @ 1,000 CFM 0.16 Inches of H ² O



DETAIL A
SCALE 1 : 2

 Better Air Better Water Better Living ULTRAVATION, INC. 67 TUBBS AVENUE BRANDON VT. 05773 PHONE (866) 468-8247	PROPRIETARY AND CONFIDENTIAL THE INFORMATION CONTAINED IN THIS DRAWING IS THE SOLE PROPERTY OF ULTRAVATION. ANY REPRODUCTION IN PART OR AS A WHOLE WITHOUT THE WRITTEN PERMISSION OF ULTRAVATION IS PROHIBITED. MATERIAL See Specifications FINISH See Comments	NAME H Kelley	DATE 6/6/2025	TITLE: ST 20x20x5 Media Air-Cleaner	
		DRAWN CHECKED ENG APPR. MFG APPR. Q.A.	COMMENTS: Galvanized Cabinet with Galvanized Door		SIZE B
APPLICATION	DO NOT SCALE DRAWING	SCALE: 1:8 WEIGHT:		SHEET 1 OF 1	