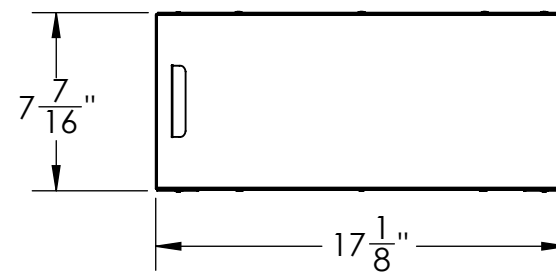
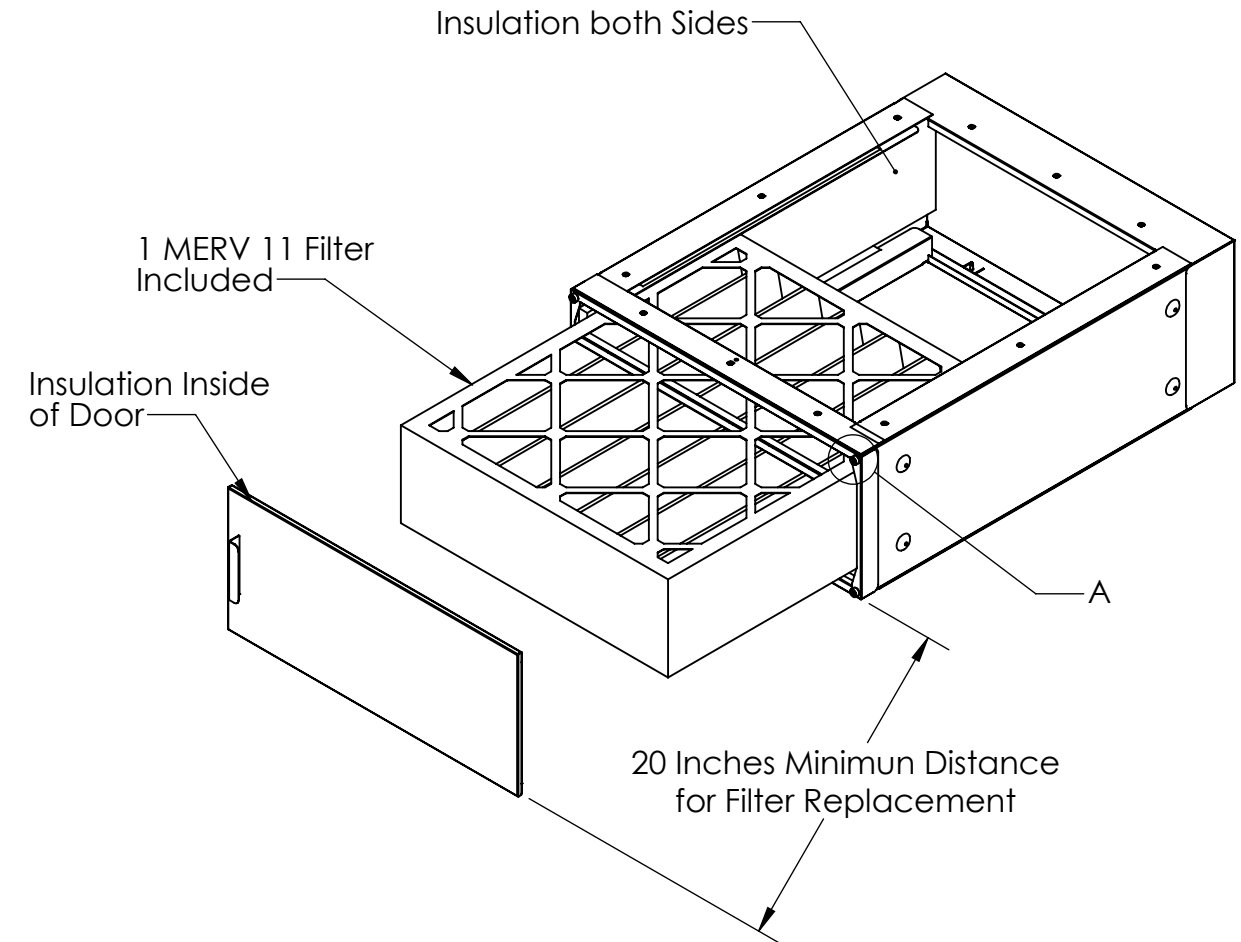
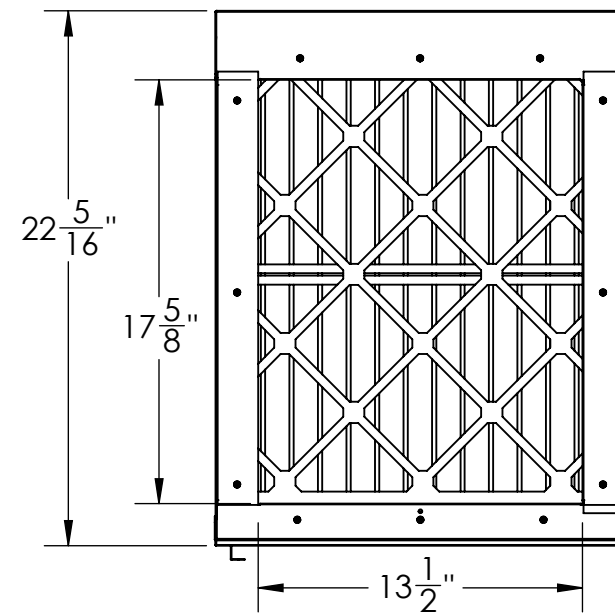
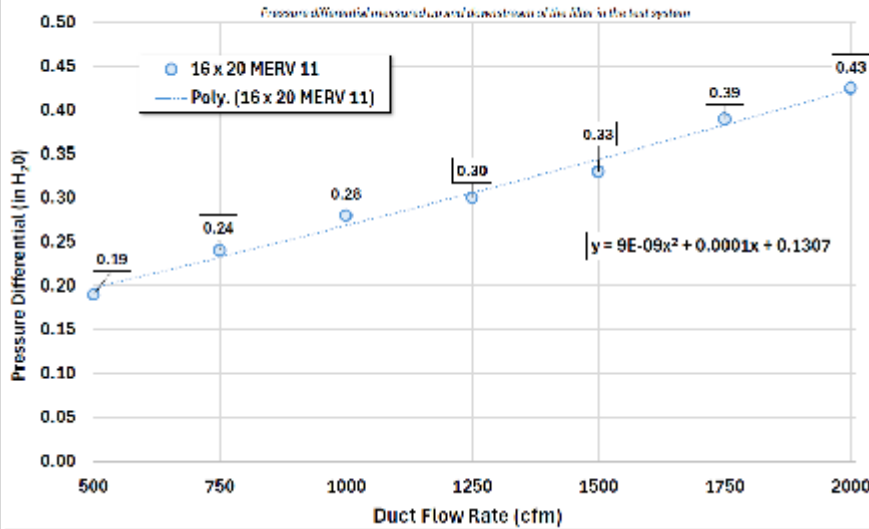


Specifications
Material: 22 Gauge Domestic Steel (Low Lead Content)
Designed Weight Capacity: 250 lbs
Air Flow Range: 600 to 1,350 CFM
Merv 11 - 16x20x5 Replacement Filter: 91-012
Merv 13 - 16x20x5 Replacement Filter: 91-027



DETAIL A
SCALE 1 : 2

Pressure Differential Across the Ultravation Filter Across Various Flow Rates



PROPRIETARY AND CONFIDENTIAL
THE INFORMATION CONTAINED IN THIS DRAWING IS THE SOLE PROPERTY OF ULTRAVATION. ANY REPRODUCTION IN PART OR AS A WHOLE WITHOUT THE WRITTEN PERMISSION OF ULTRAVATION IS PROHIBITED.

 Better Air Better Water Better Living ULTRAVATION, INC. 67 TUBBS AVENUE BRANDON VT. 05773 PHONE (866) 468-8247	UNLESS OTHERWISE SPECIFIED:	NAME	DATE	TITLE: <h1>Air Handler Base Unit</h1>
	DIMENSIONS ARE IN INCHES TOLERANCES: FRACTIONAL ± ANGULAR: MACH ± BEND ± TWO PLACE DECIMAL ± THREE PLACE DECIMAL ± INTERPRET GEOMETRIC TOLERANCING PER: MATERIAL See Specifications FINISH See Comments	DRAWN H Kelley CHECKED ENG APPR. MFG APPR. Q.A. COMMENTS: Galvanized Cabinet with Galvanized Door	6/9/2025	
APPLICATION	DO NOT SCALE DRAWING			REV B