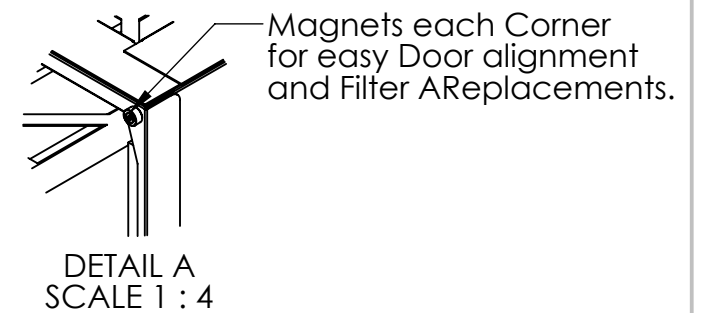
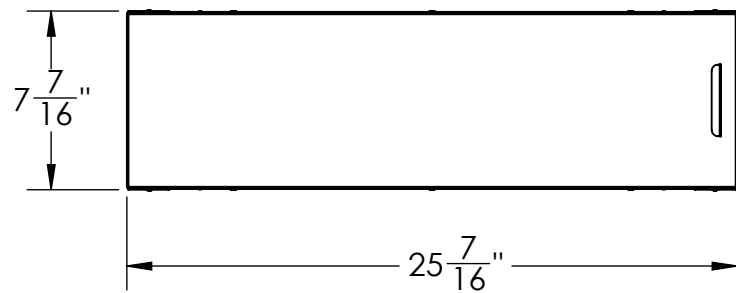
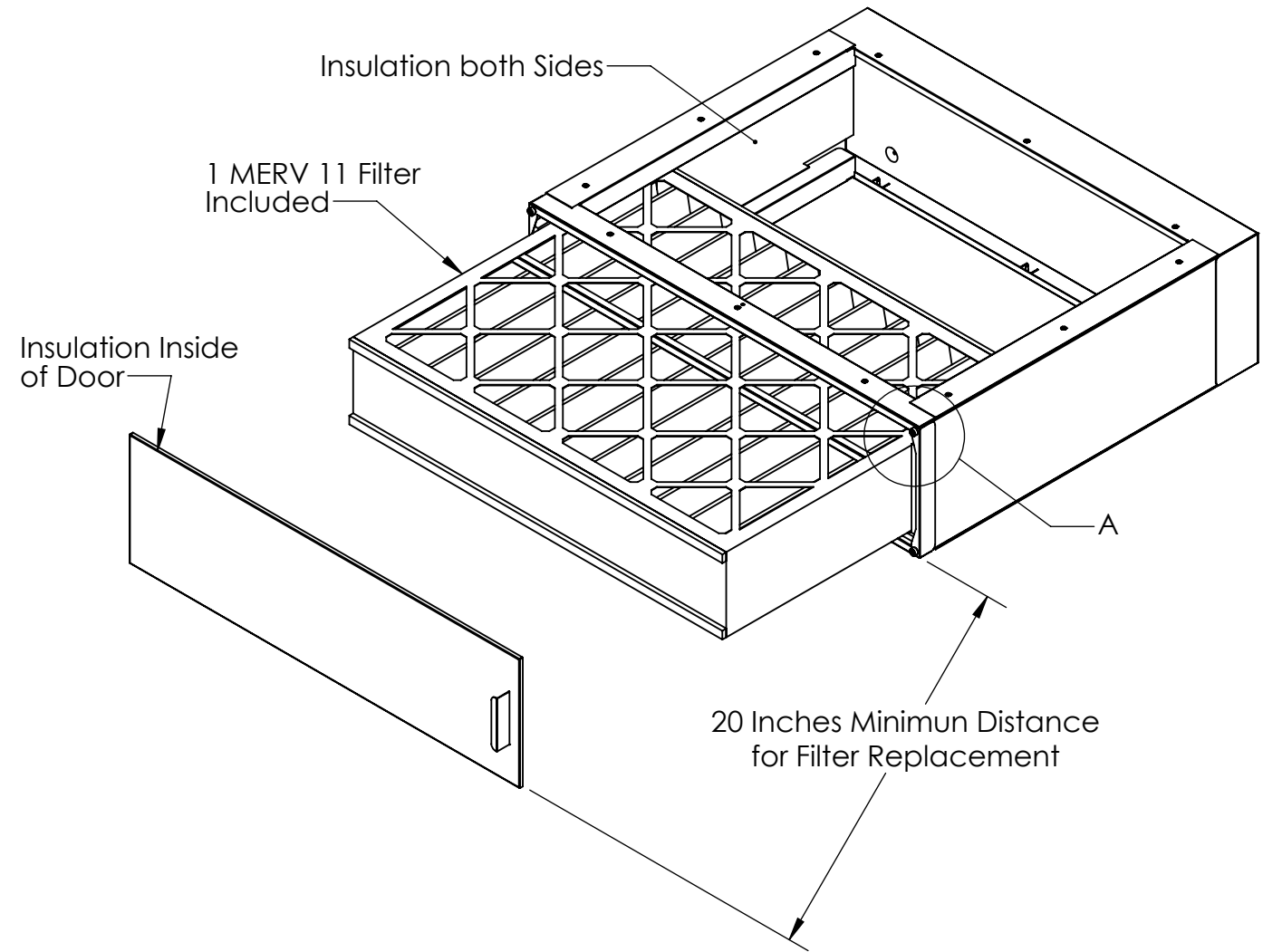
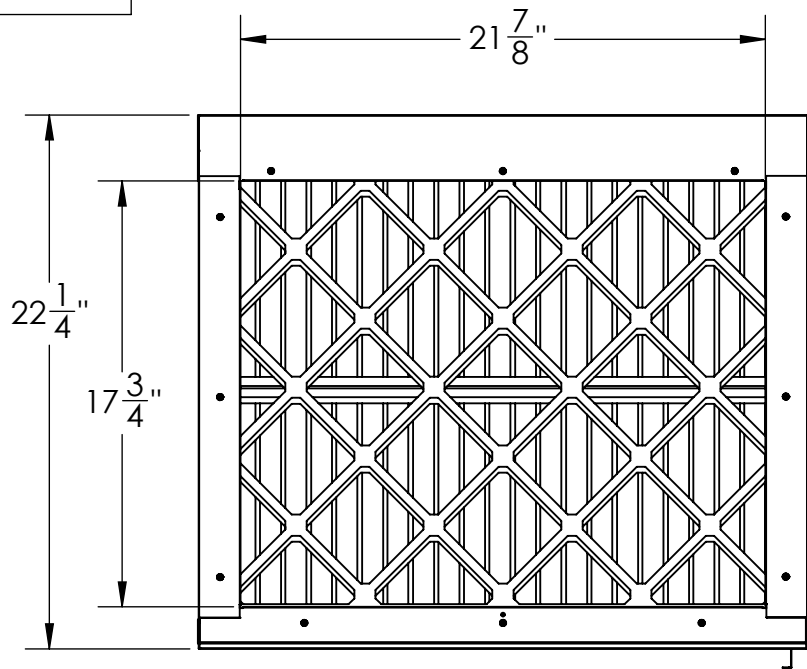
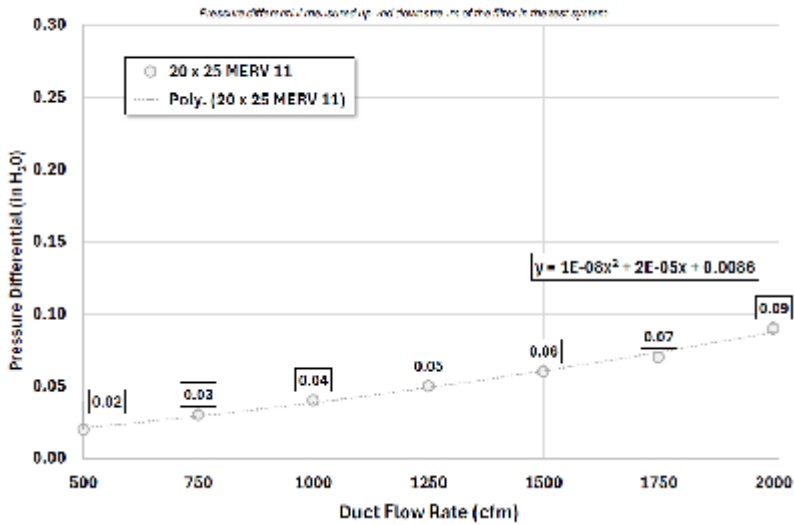


Specifications
Material: 22 Gauge Domestic Steel (Low Lead Content)
Designed Weight Capacity: 250 lbs
Air Flow Range: 600 to 2,200 CFM
Merv 11 - 20x25x5 Replacement Filter: 91-006
Merv 13 - 20x25x5 Replacement Filter: 91-026



Pressure Differential Across the Ultravation Filter Across Various Flow Rates



PROPRIETARY AND CONFIDENTIAL
 THE INFORMATION CONTAINED IN THIS DRAWING IS THE SOLE PROPERTY OF ULTRAVATION. ANY REPRODUCTION IN PART OR AS A WHOLE WITHOUT THE WRITTEN PERMISSION OF ULTRAVATION IS PROHIBITED.

 ULTRAVATION, INC. 67 TUBBS AVENUE BRANDON VT. 05773 PHONE (866) 468-8247	UNLESS OTHERWISE SPECIFIED:	NAME	DATE	TITLE: <h1>Air Handler Base Unit</h1>
	DIMENSIONS ARE IN INCHES TOLERANCES: FRACTIONAL ± ANGULAR: MACH ± BEND ± TWO PLACE DECIMAL ± THREE PLACE DECIMAL ±	DRAWN	H Kelley	
INTERPRET GEOMETRIC TOLERANCING PER: MATERIAL See Specifications FINISH See Comments	COMMENTS: Galvanized Cabinet with Galvanized Door	CHECKED		SIZE B
		APPLICATION DO NOT SCALE DRAWING	ENG APPR.	
		MFG APPR.		REV B
		Q.A.		SCALE: 1:8 WEIGHT: SHEET 1 OF 1