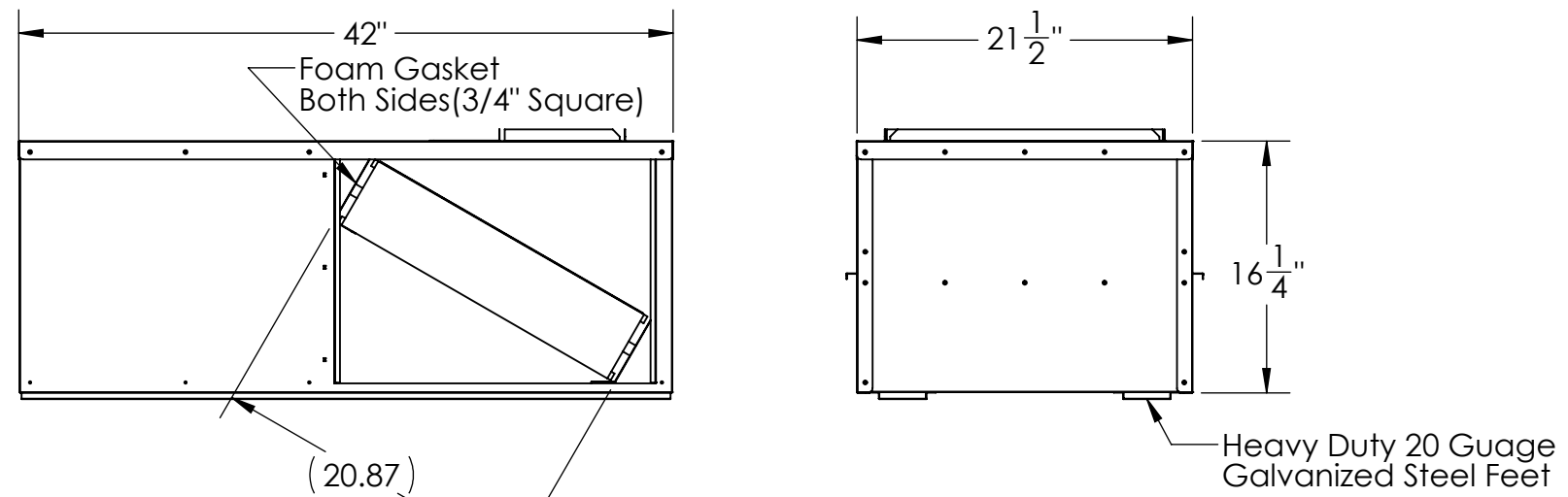
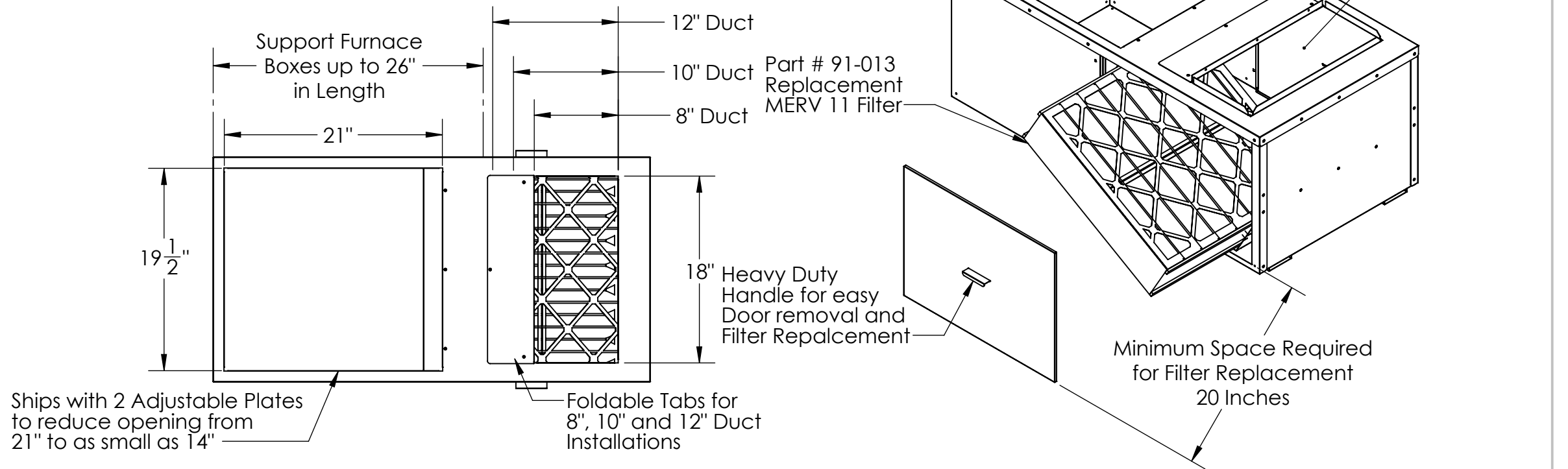
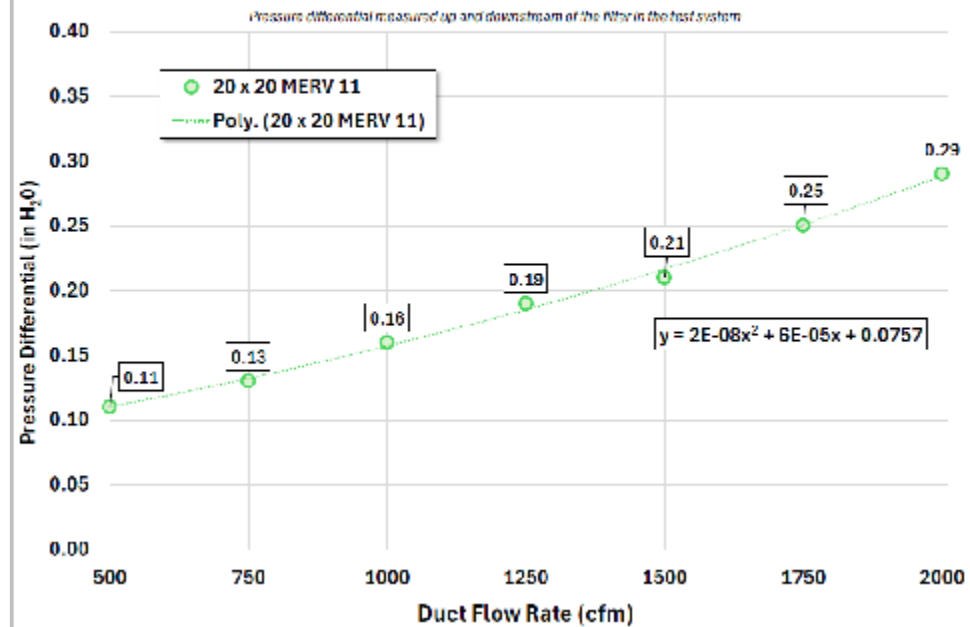


Specifications:
Material: 20/26 Gauge Domestic Steel(Low Lead Content)
Designed Weight Capacity: 300 lbs.
Pressure Drop @ 1,000 CFM: 0.16 Inches of H ₂ O



Pressure Differential Across the Ultravation Filter Across Various Flow Rates



PROPRIETARY AND CONFIDENTIAL
 THE INFORMATION CONTAINED IN THIS DRAWING IS THE SOLE PROPERTY OF ULTRAVATION. ANY REPRODUCTION IN PART OR AS A WHOLE WITHOUT THE WRITTEN PERMISSION OF ULTRAVATION IS PROHIBITED.

<p>Better Air Better Water Better Living</p> <p>ULTRAVATION, INC. 67 TUBBS AVENUE BRANDON VT. 05773 PHONE (866) 468-8247</p>	UNLESS OTHERWISE SPECIFIED: DIMENSIONS ARE IN INCHES TOLERANCES: FRACTIONAL ± ANGULAR: MACH ± BEND ± TWO PLACE DECIMAL ± THREE PLACE DECIMAL ± INTERPRET GEOMETRIC TOLERANCING PER: MATERIAL See Specifications FINISH See Comments	NAME H Kelley DATE 12/11/2025	TITLE: <h1>Air Handler Support Box</h1>	
	APPLICATION DO NOT SCALE DRAWING	DRAWN CHECKED ENG APPR. MFG APPR. Q.A. COMMENTS: Insulated Air Handler Support Box with MERV-11 Filter(20x20x5), Painted Standard Color		SIZE B
		SCALE: 1:8	WEIGHT:	SHEET 1 OF 1