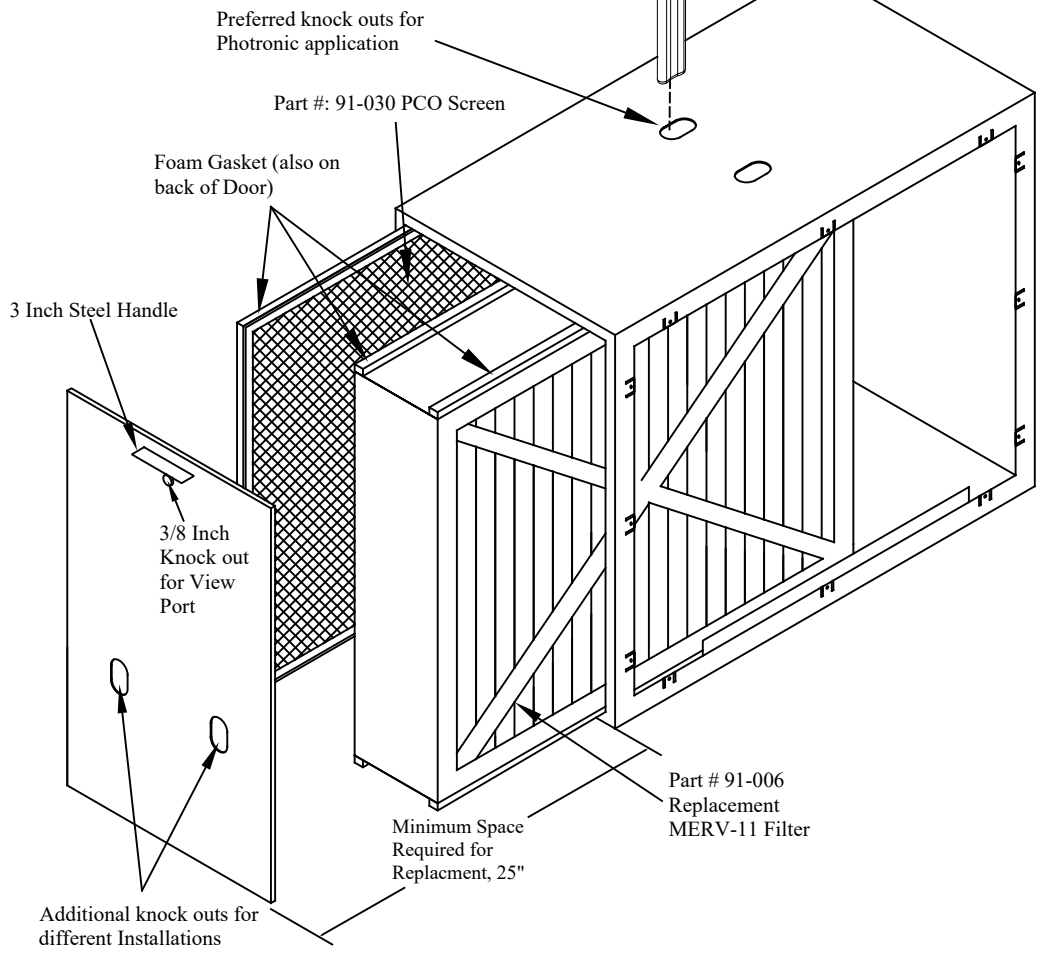
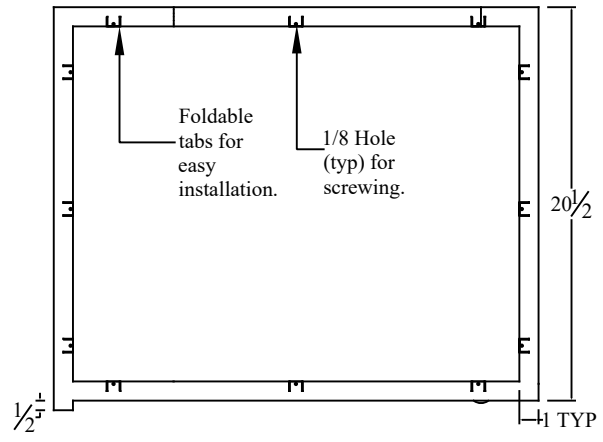
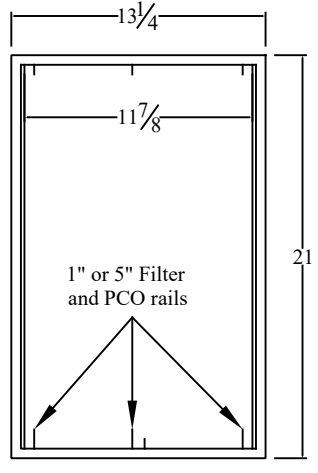
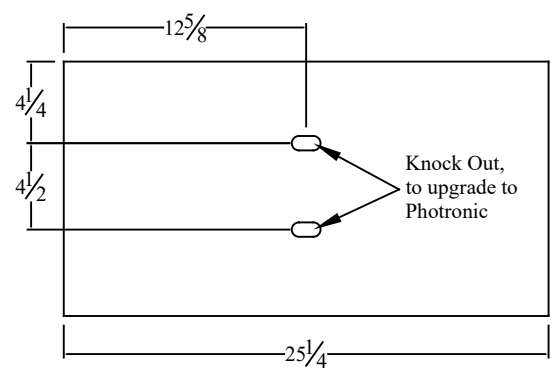
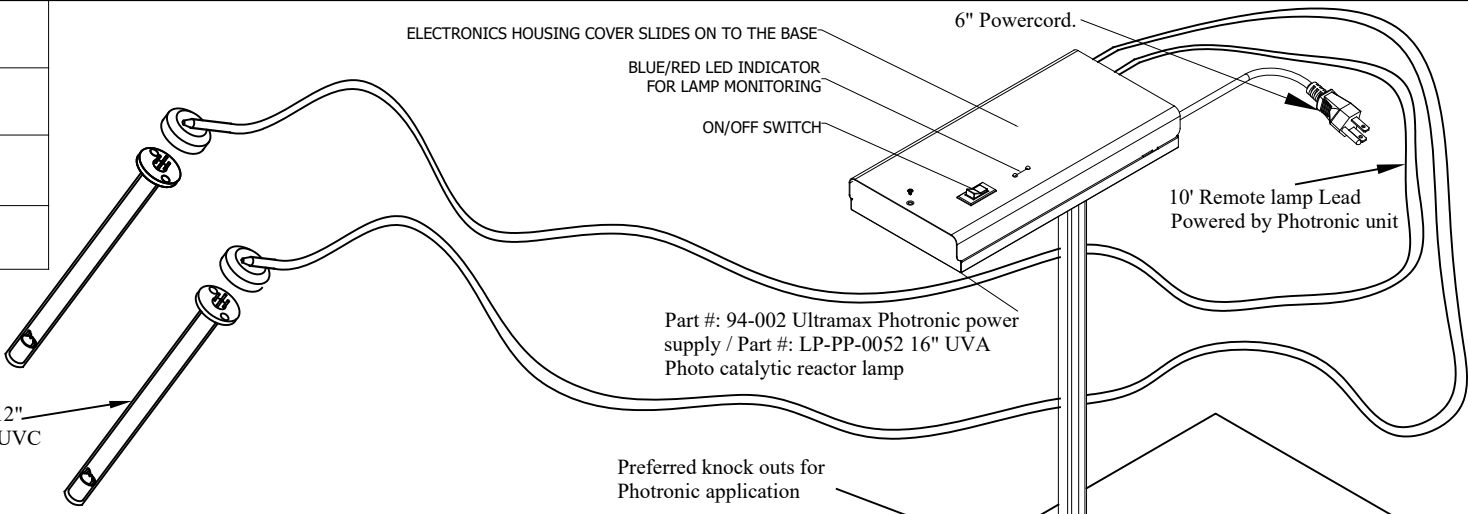


Specifications	
Material:	22 Gauge Domestic Steel (Low Lead Content)
Design Weight Capacity:	100 lbs.
Pressure Drop @ 1200 CFM:	.14 Inches of H2O

Photronic Unit	:	BL-PP-0023 Auto Sensing Ballast.
Powered by	:	120V/.40A-240V/0.21A,50/60Hz
Power Input	:	120V/.40A-240V/0.21A,50/60Hz
Power Consumption	:	18 Watts (.40 AMPS @120VAC)

Part # ASIH1001 Dual 12" Ultraviolet T3 Remote UVC lamps.



Ultravation, Inc.
 67 Tubbs Ave
 Brandon Vermont 05733.
 Ph: 802-247-0034
 Fx: 802-247-0033
 www.Ultravation.com

Part #: 92-002	Drawing #: DC-IH-3032	Rev -*
Description: Photronic Straight Through w/ 20 x 25 x 5" MERV-11 filter, ST style w/ 12" remote UVC Lamps, 120v 60 Hz.		
Date: 11/03/06	Scale:	Creator: JSM