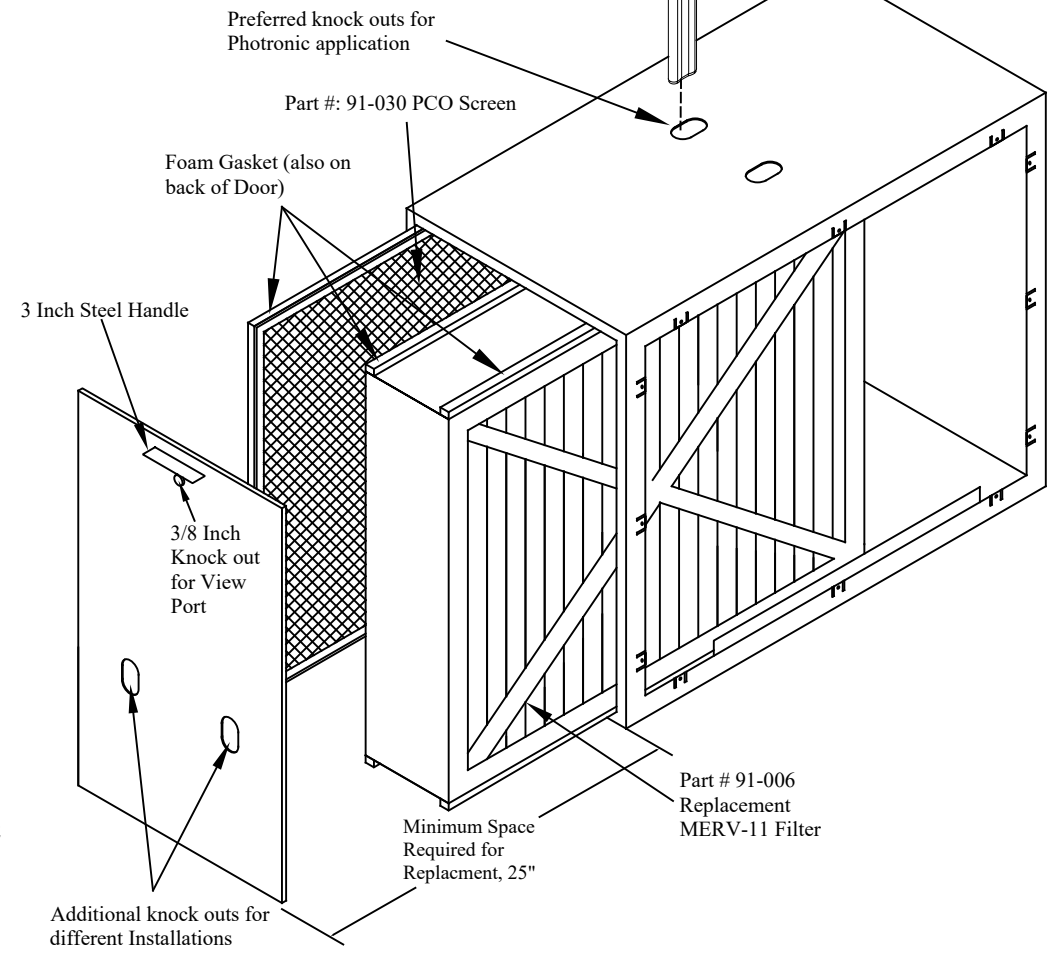
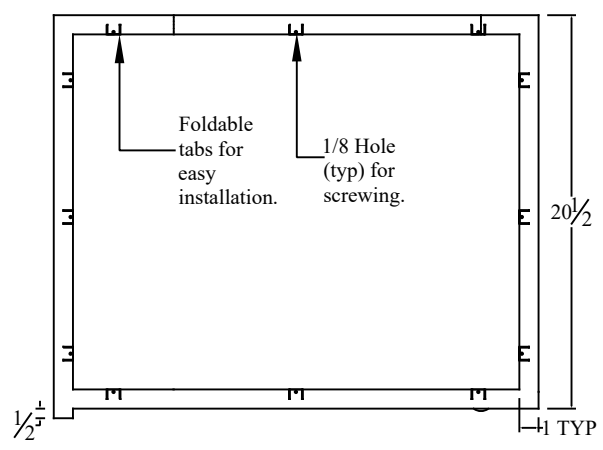
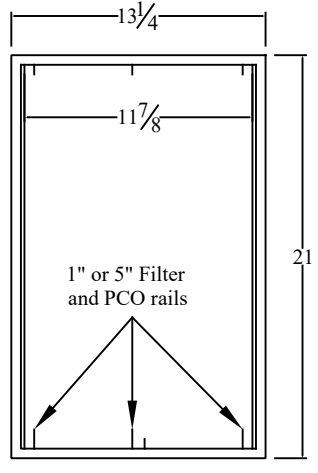
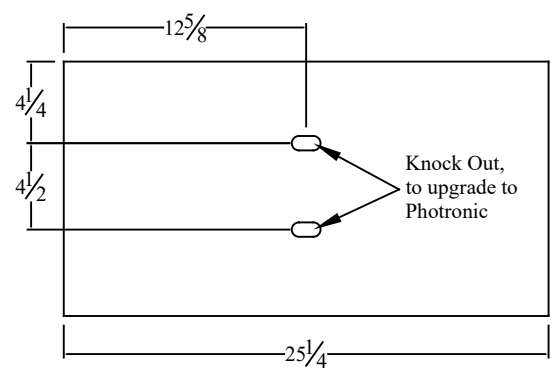
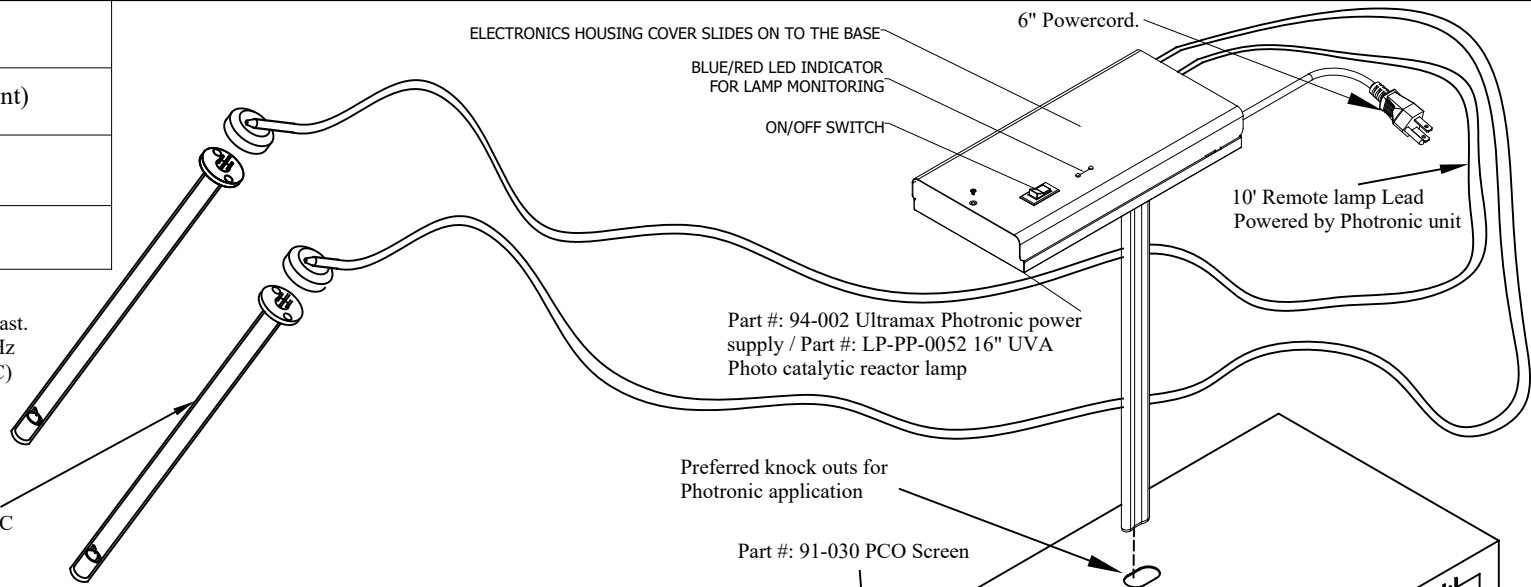


<b>Specifications</b>	
Material:	22 Gauge Domestic Steel (Low Lead Content)
Design Weight Capacity:	100 lbs.
Pressure Drop @ 1200 CFM:	.14 Inches of H2O

<b>Photronic Unit</b>	
Powered by :	BL-PP-0023 Auto Sensing Ballast.
Power Input :	120V/.40A-240V/0.21A,50/60Hz
Power Consumption :	18 Watts (.40 AMPs @120VAC)

Part # ASIH1003 Dual 17" Ultravation T3 Remote UVC lamps.



**Ultravation, Inc.**  
 67 Tubbs Ave  
 Brandon Vermont 05733.  
 Ph: 802-247-0034  
 Fx: 802-247-0033  
 www.Ultravation.com

Part #: 92-003	Drawing #: DC-IH-3033	Rev -*
Description: Photronic Straight Through w/ 20 x 25 x 5" MERV-11 filter, ST style w/ 17" remote UVC Lamps, 120v 60 Hz.		
Date: 11/03/06	Scale:	Creator: JSM