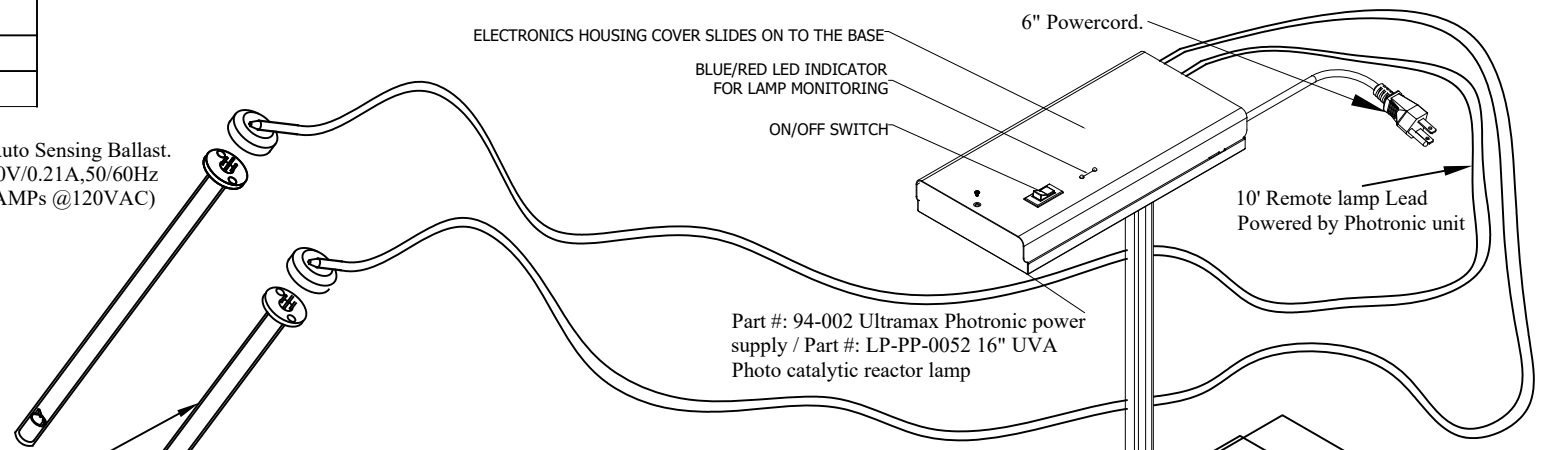


Specifications

Material: 22 Gauge Domestic Steel (Low Lead Content)

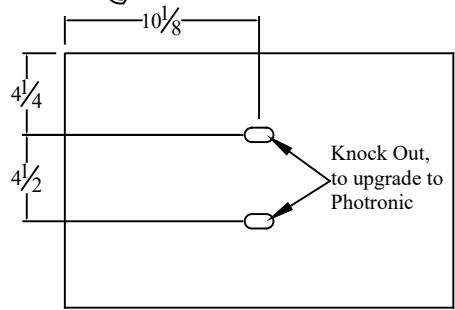
Pressure Drop @ 1200 CFM: .15 Inches of H₂O

Photronic Unit
 Powered by : BL-PP-0023 Auto Sensing Ballast.
 Power Input : 120V/.40A-240V/0.21A,50/60Hz
 Power Consumption : 18 Watts (.40 AMPs @120VAC)

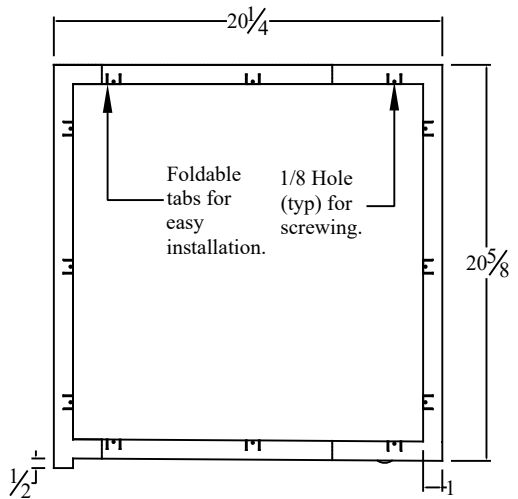
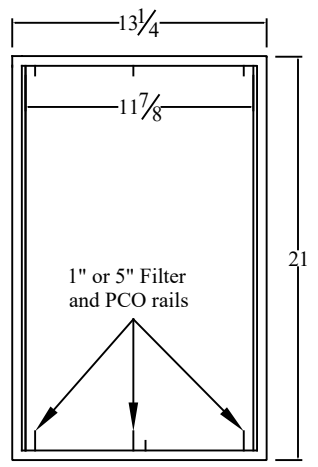


Part # ASIH1003 Dual 17" Ultravation T3 Remote UVC lamps.

Part #: 94-002 Ultramax Photronic power supply / Part #: LP-PP-0052 16" UVA Photo catalytic reactor lamp



1/2 Inch Steel Knob latching system for easy opening while replacing filter. Holds securely for horizontal and vertical installation.



Preferred knock outs for Photronic application

Part #: 91-032 PCO Screen

Foam Gasket (also on back of Door)

3/8 Inch Knock out for View Port

Additional knock outs for different installations

Minimum Space Required for Replacment, 25"

Part # 91-013 Replacement MERV-11 Filter

Ultravation, Inc.
 67 Tubbs Ave
 Brandon Vermont 05733.
 Ph: 802-247-0034
 Fx: 802-247-0033
 www.Ultravation.com

Part #: 92-033 Drawing #: DC-IH-3062 Rev -*

Description: Photronic Straight Through w/ 20 x 20 x 5" MERV-11 filter, ST style w/ 17" remote UVC Lamps, 120v 60 Hz.

Date: 11/03/06 Scale: Creator: JSM