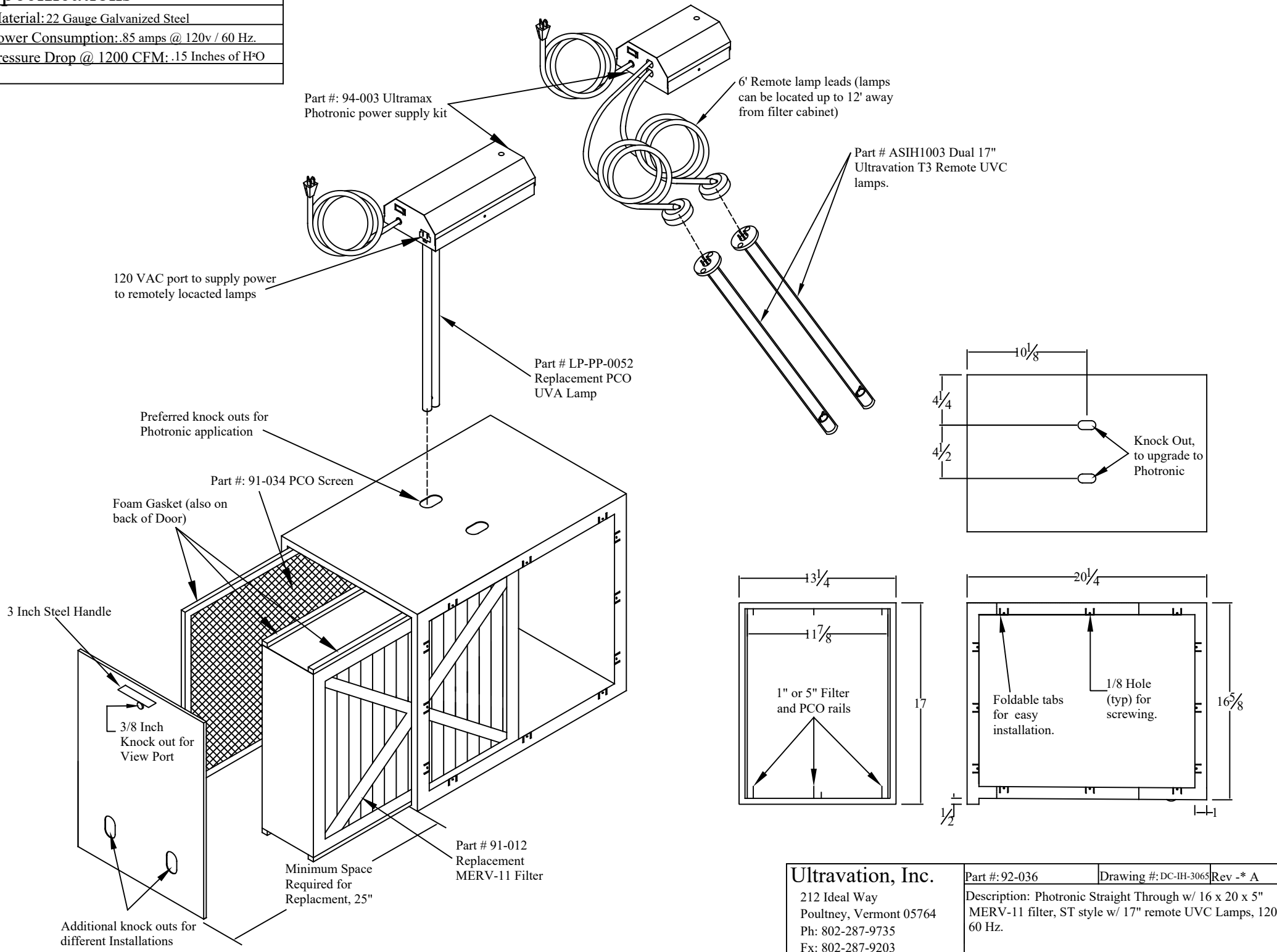


# Specifications

Material: 22 Gauge Galvanized Steel
Power Consumption: .85 amps @ 120v / 60 Hz.
Pressure Drop @ 1200 CFM: .15 Inches of H <sub>2</sub> O



<b>Ultravation, Inc.</b> 212 Ideal Way Poultney, Vermont 05764 Ph: 802-287-9735 Fx: 802-287-9203 <a href="http://www.Ultravation.com">www.Ultravation.com</a>	Part #: 92-036	Drawing #: DC-IH-3065	Rev -* A
	Description: Photronic Straight Through w/ 16 x 20 x 5" MERV-11 filter, ST style w/ 17" remote UVC Lamps, 120v 60 Hz.		
Date: 11/03/20	Scale:	Creator: JSM	