

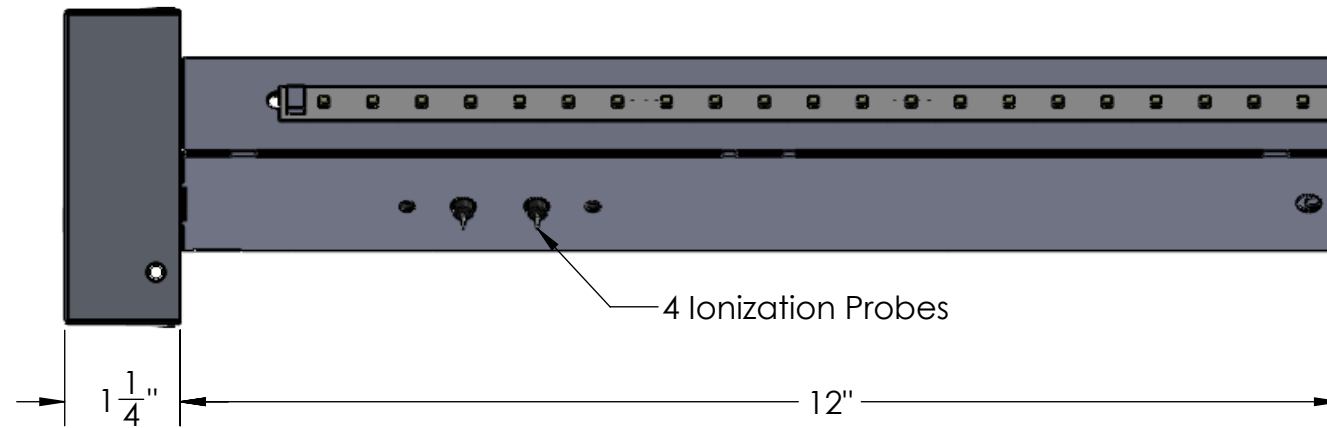
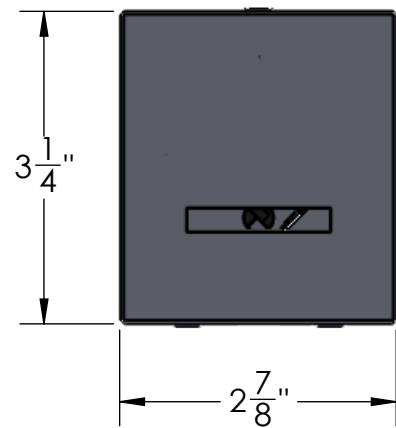
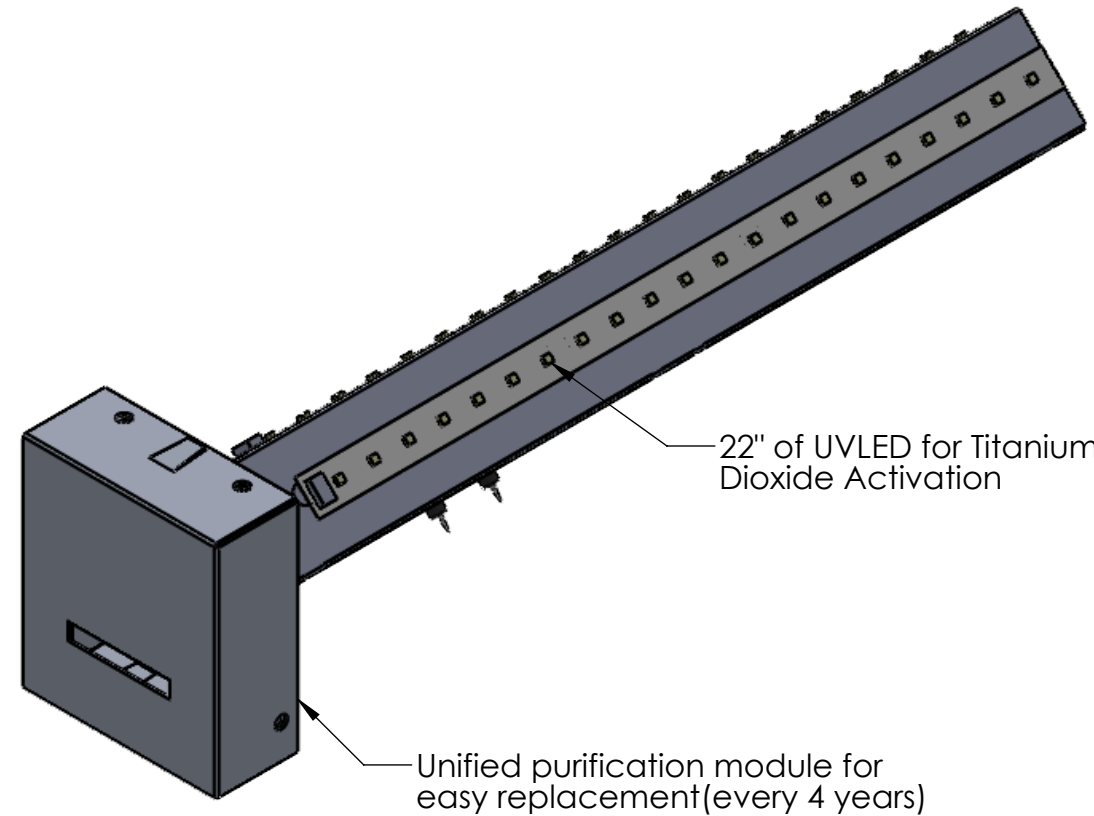
4

3

2

1

Specifications	
Power Consumption	11 VA
Radiation Power	4.38 W/m
LED Quantity	36 UVA LEDs
Peak Wave Length	395-400 nm
Total Ion Output	>400 Million+/-Ions/cc



Ultravation
 Better Air Better Water | Better Living

ULTRAVATION, INC.
 67 TUBBS AVENUE
 BRANDON VT. 05773
 PHONE (866) 468-8247

PROPRIETARY AND CONFIDENTIAL
 THE INFORMATION CONTAINED IN THIS DRAWING IS THE SOLE PROPERTY OF ULTRAVATION. ANY REPRODUCTION IN PART OR AS A WHOLE WITHOUT THE WRITTEN PERMISSION OF ULTRAVATION IS PROHIBITED.

UNLESS OTHERWISE SPECIFIED:		NAME	DATE
DIMENSIONS ARE IN INCHES		H Kelley	3/31/2026
TOLERANCES:			
FRACTIONAL ±			
ANGULAR: MACH ± BEND ±			
TWO PLACE DECIMAL ±			
THREE PLACE DECIMAL ±			
INTERPRET GEOMETRIC TOLERANCING PER:			
MATERIAL			
FINISH			
APPLICATION	DO NOT SCALE DRAWING		

TITLE:		
<h1>Syncell</h1>		
SIZE	DWG. NO.	REV
B	Syncell-DDS	
SCALE: 1:8	WEIGHT:	SHEET 1 OF 1

4

3

2

1

B

B

A

A