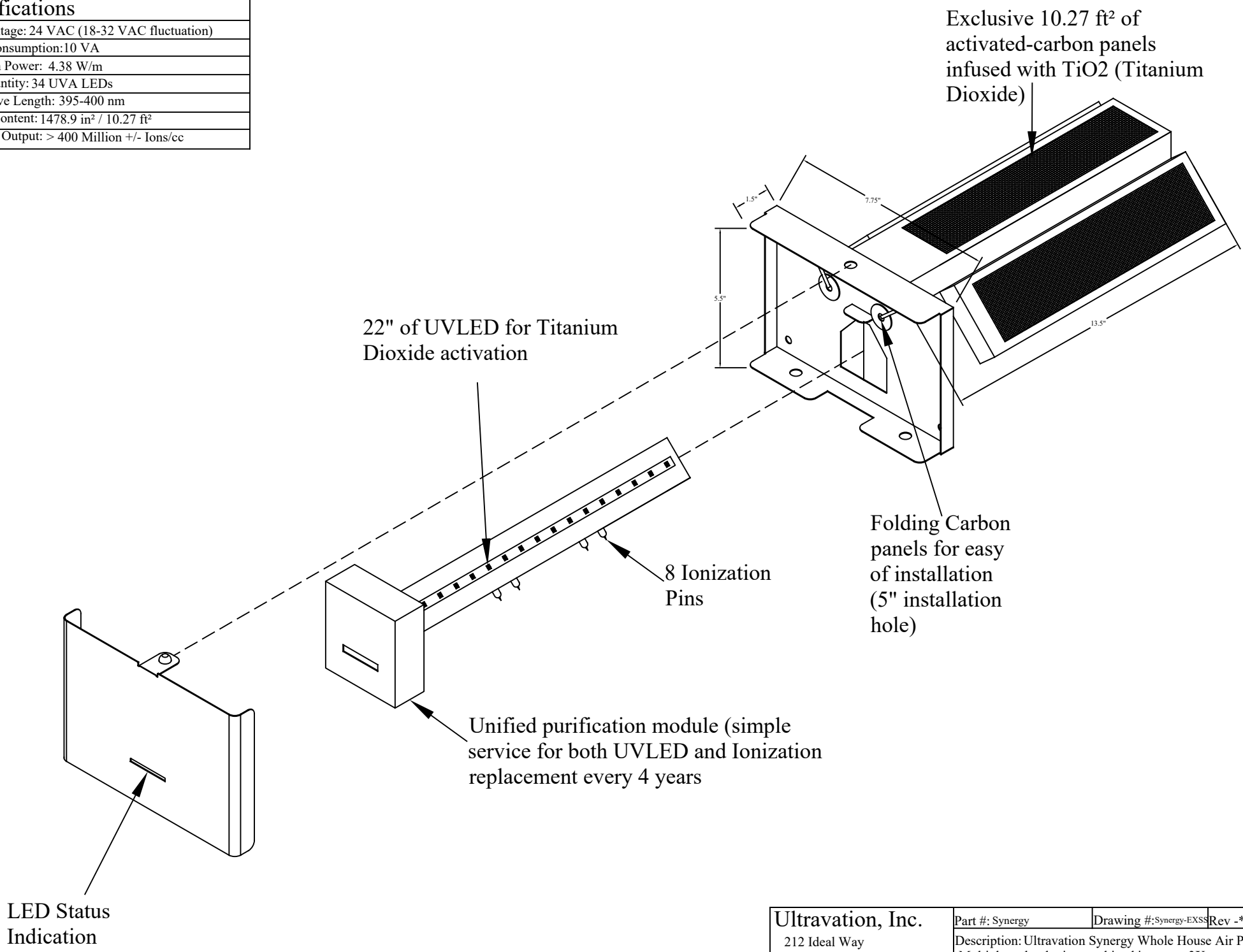


Specifications
Input Voltage: 24 VAC (18-32 VAC fluctuation)
Power Consumption: 10 VA
Radiation Power: 4.38 W/m
LED Quantity: 34 UVA LEDs
Peak Wave Length: 395-400 nm
Carbon Content: 1478.9 in ² / 10.27 ft ²
Total Ion Output: > 400 Million +/- Ions/cc



Ultravation, Inc. 212 Ideal Way Poultney, Vermont 05764 Ph: 802-287-9735 Fx: 802-287-9203 www.Ultravation.com	Part #: Synergy	Drawing #: Synergy-EXSS Rev -*
	Description: Ultravation Synergy Whole House Air Purifier. Multiple technologies combined into one, 3X Photocatalytic Oxidation, Super efficient UVLED, and 8 pin ionization.	
Date: 1/20/20	Scale:	Creator: JSM