

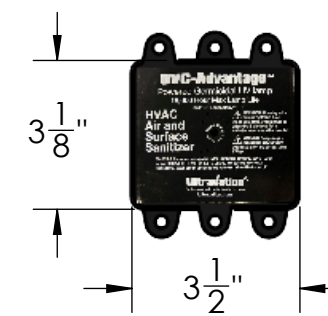
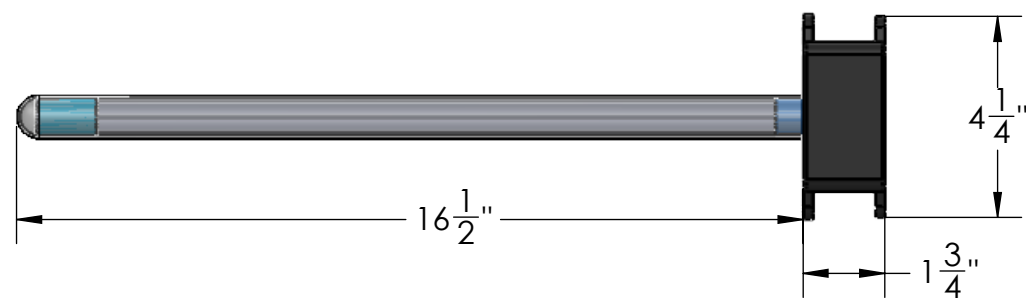
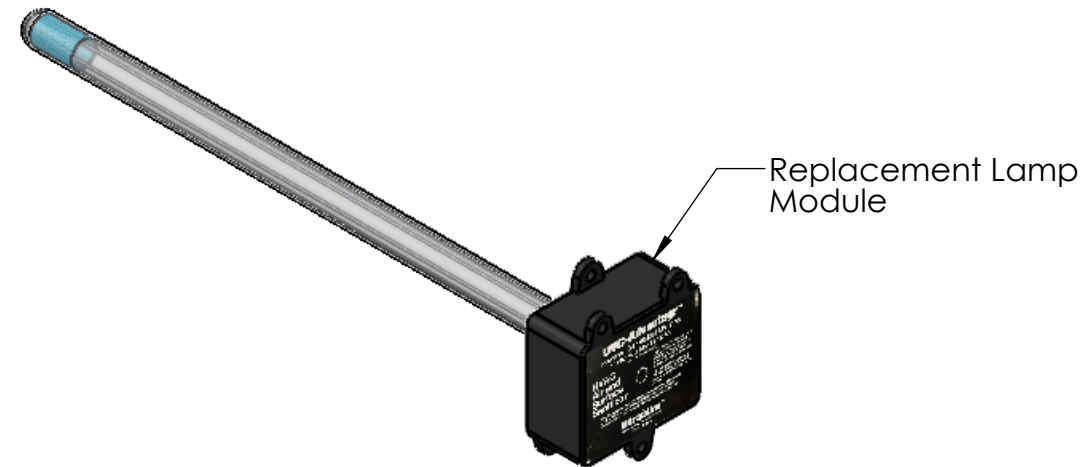
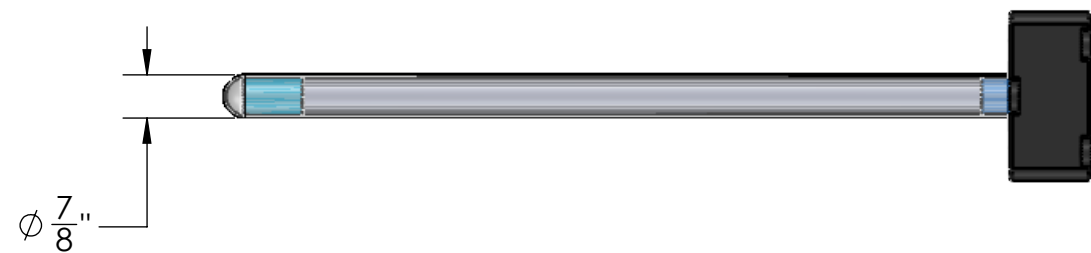
4

3

2

1

| Specifications |          |
|----------------|----------|
| Input Voltage  | 24VAC    |
| UVC Wavelength | 254nm    |
| Lamp Wattage   | 25 Watts |



B

B

A

A

**PROPRIETARY AND CONFIDENTIAL**  
 THE INFORMATION CONTAINED IN THIS DRAWING IS THE SOLE PROPERTY OF ULTRAVATION. ANY REPRODUCTION IN PART OR AS A WHOLE WITHOUT THE WRITTEN PERMISSION OF ULTRAVATION IS PROHIBITED.

|   |   |   |          |  |          |
|---|---|---|----------|--|----------|
| <p><b>ULTRAVATION, INC.</b><br/>         67 TUBBS AVENUE<br/>         BRANDON VT. 05773<br/>         PHONE (866) 468-8247</p> | UNLESS OTHERWISE SPECIFIED:   | NAME  | DATE     | <b>TITLE:</b><br><h1>UVC-MOD-17-T3</h1>                |          |
|   | DIMENSIONS ARE IN INCHES  | DRAWN   | H Kelley |  | 4/6/2026 |
|   | TOLERANCES:<br>FRACTIONAL $\pm$<br>ANGULAR: MACH $\pm$ BEND $\pm$<br>TWO PLACE DECIMAL $\pm$<br>THREE PLACE DECIMAL $\pm$ | CHECKED   |          |  |          |
|   | INTERPRET GEOMETRIC TOLERANCING PER:<br>MATERIAL  | ENG APPR.   |          |  |          |
| FINISH  | MFG APPR.   |   |          | <b>SIZE</b> DWG. NO. REV<br><b>B</b> UVC-MOD-17-T3-DDS |          |
| APPLICATION   | DO NOT SCALE DRAWING  | <b>COMMENTS:</b><br>24VAC<br>17 Inch UVC<br>Module-2 Year |          | SCALE: 1:8 WEIGHT: SHEET 1 OF 1                        |          |

4

3

2

1